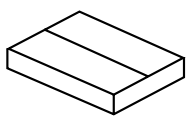




30 min



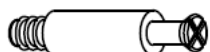
x3



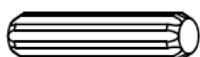
x2



Ax12 ($\varnothing 15 \times 13,5$)



Bx12 (M6x43)



Cx10 ($\varnothing 8 \times 30$)



Dx22 ($\varnothing 3,5 \times 16$)



Ex4 ($\varnothing 6 \times 30$)



Fx2 (M8x60)



Gx1 (M5)



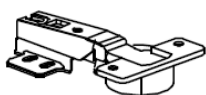
Hx6 (M8x16)



Ix2



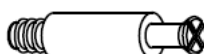
Jx10 ($\varnothing 3,5 \times 25$)



Kx2



Lx4 ($\varnothing 12 \times 10$)



Mx4 (M5x25)



Nx20 ($\varnothing 20$)



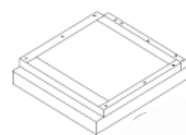
(1)x1



(2)x1



(3)x1



(4)x1



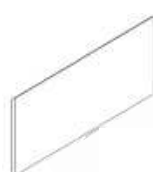
(5)x1



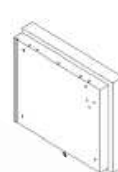
(7)x1



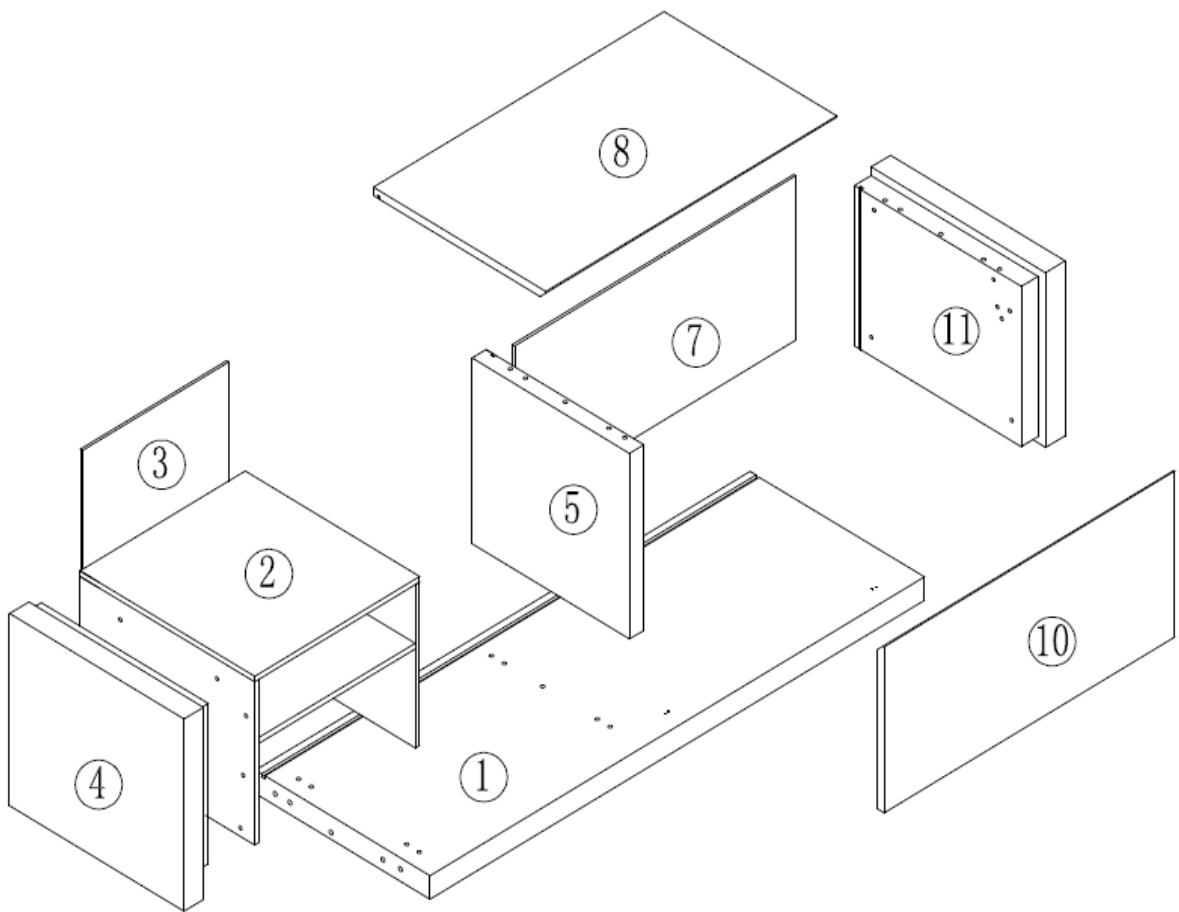
(8)x1



(10)x1

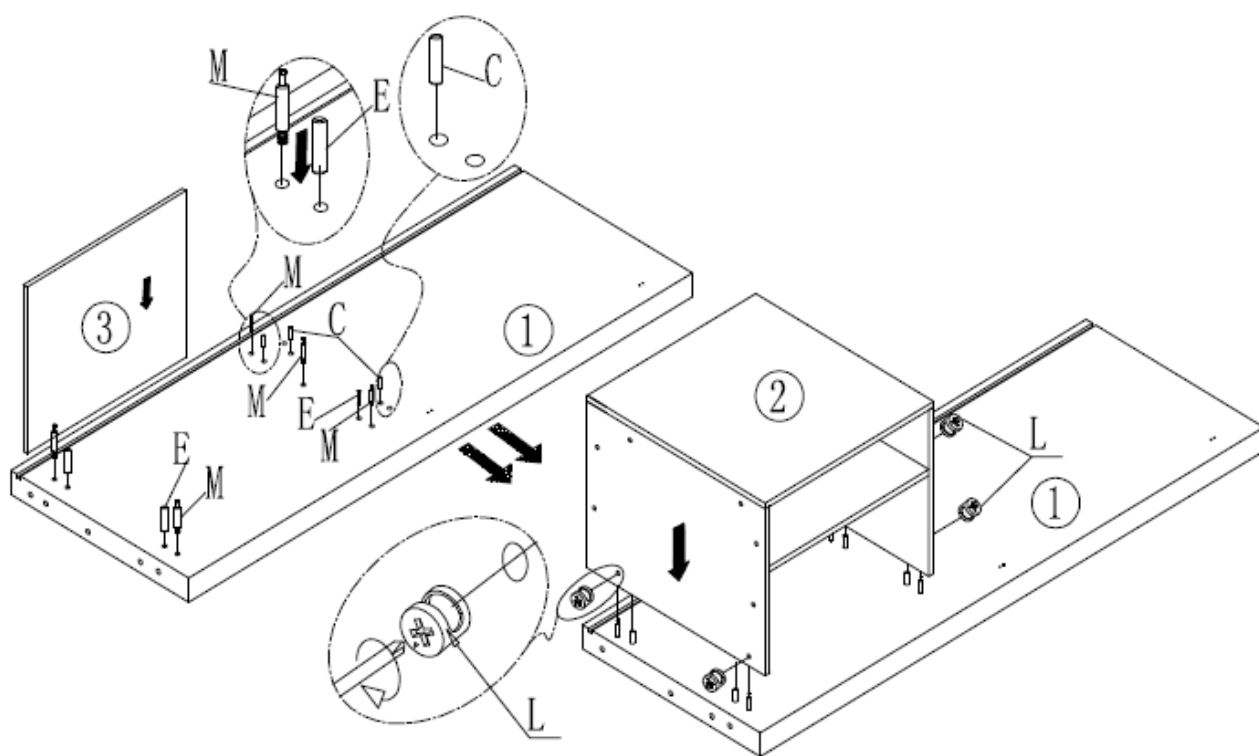


(11)x1



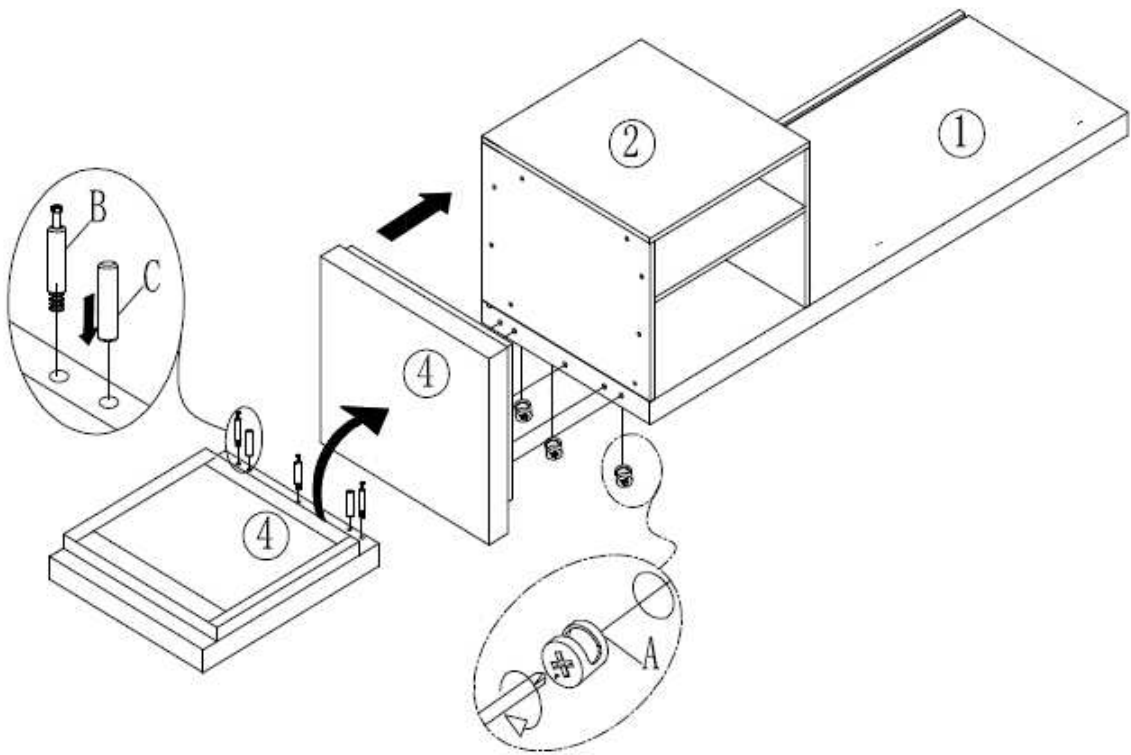


1

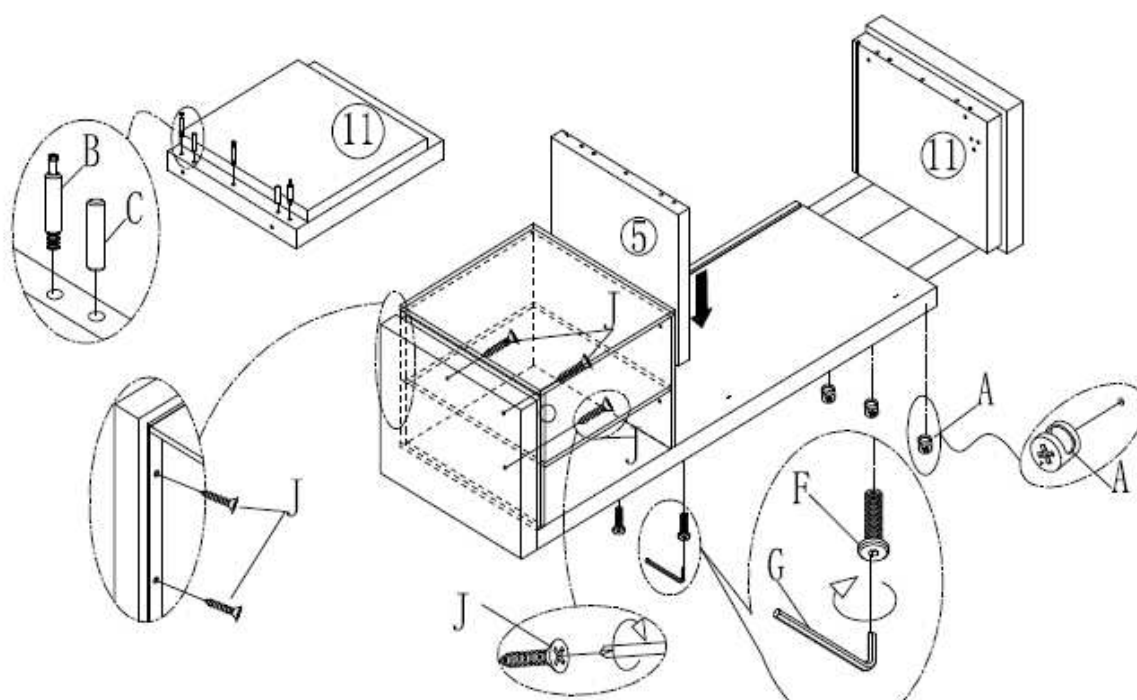




2

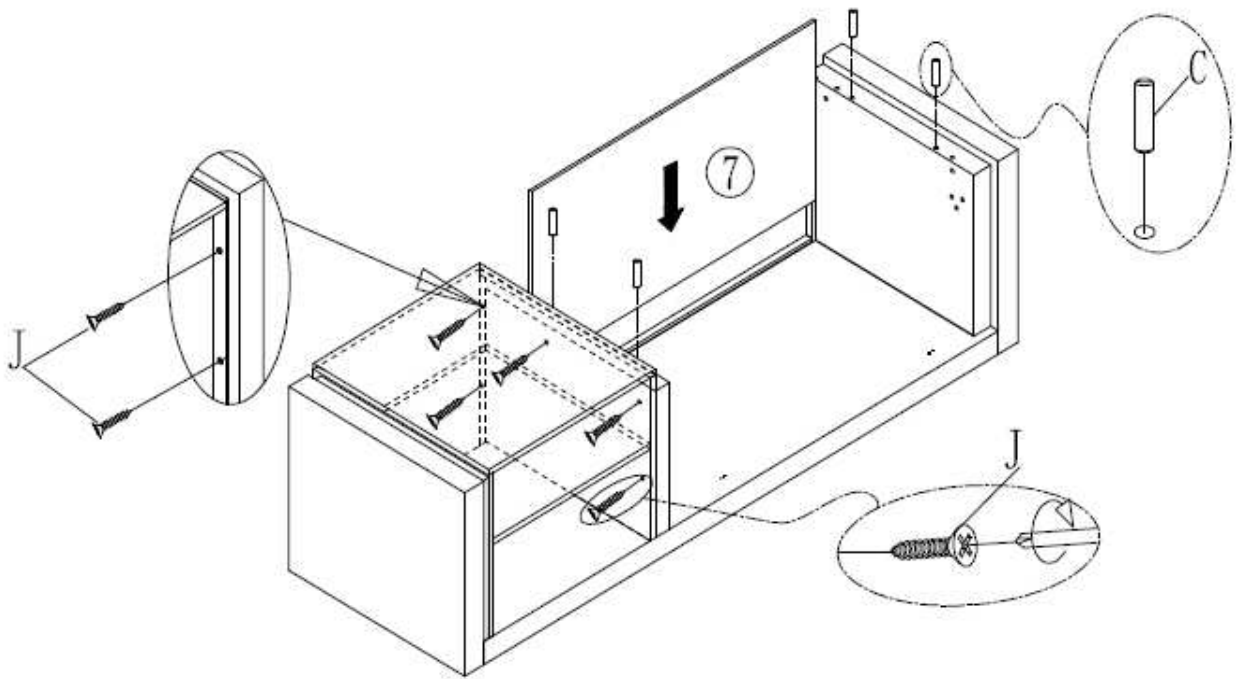


3

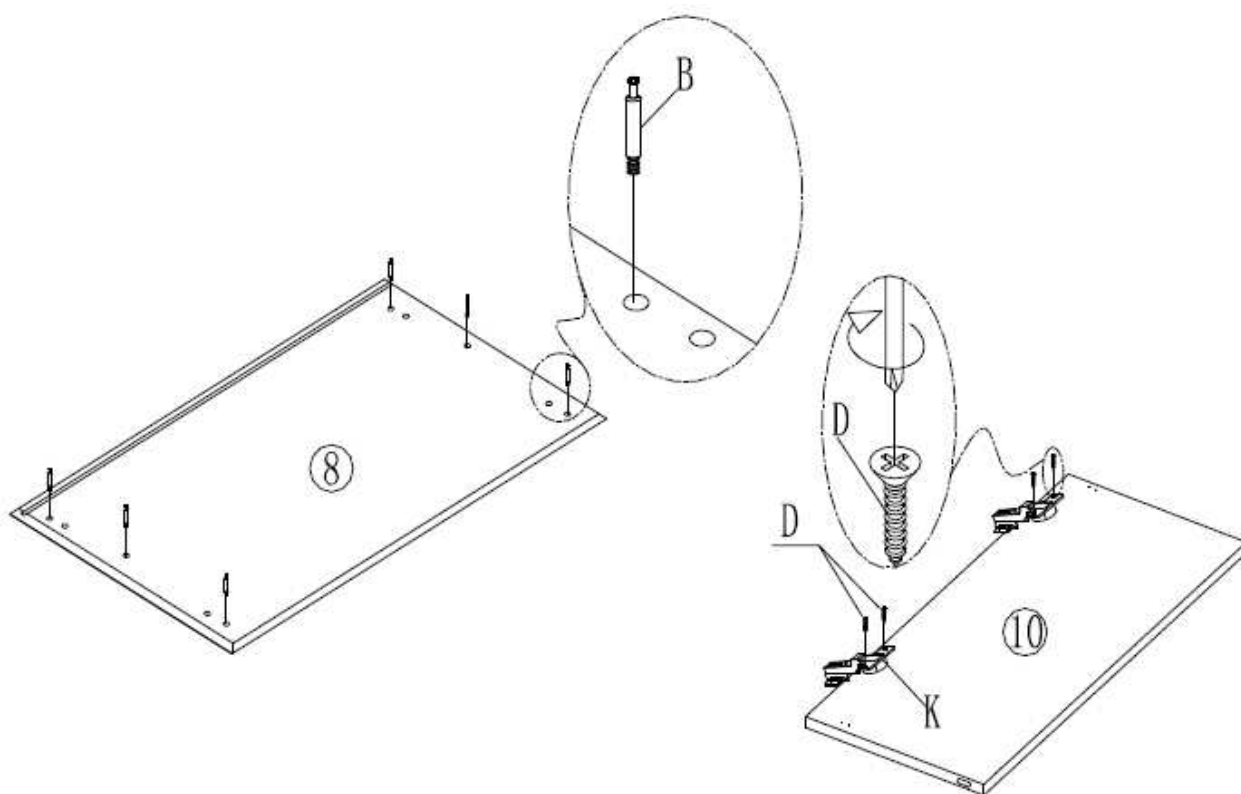




4

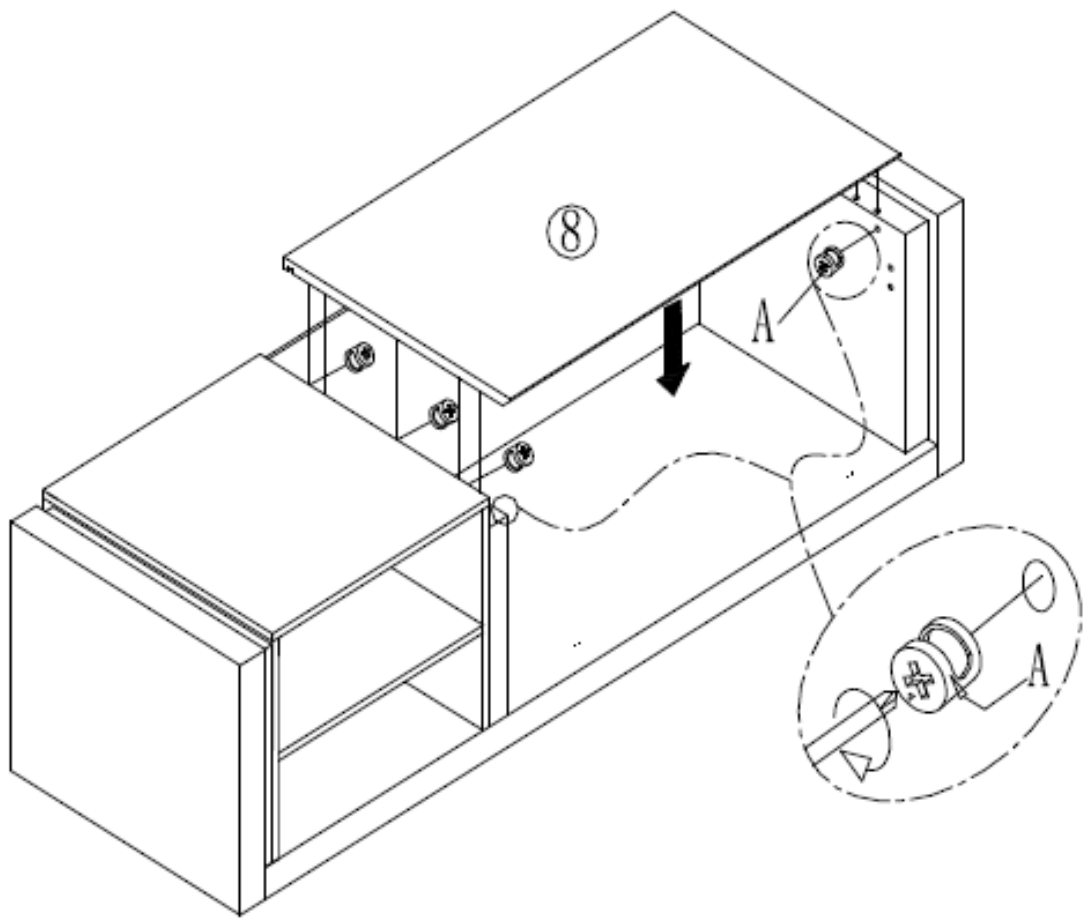


5



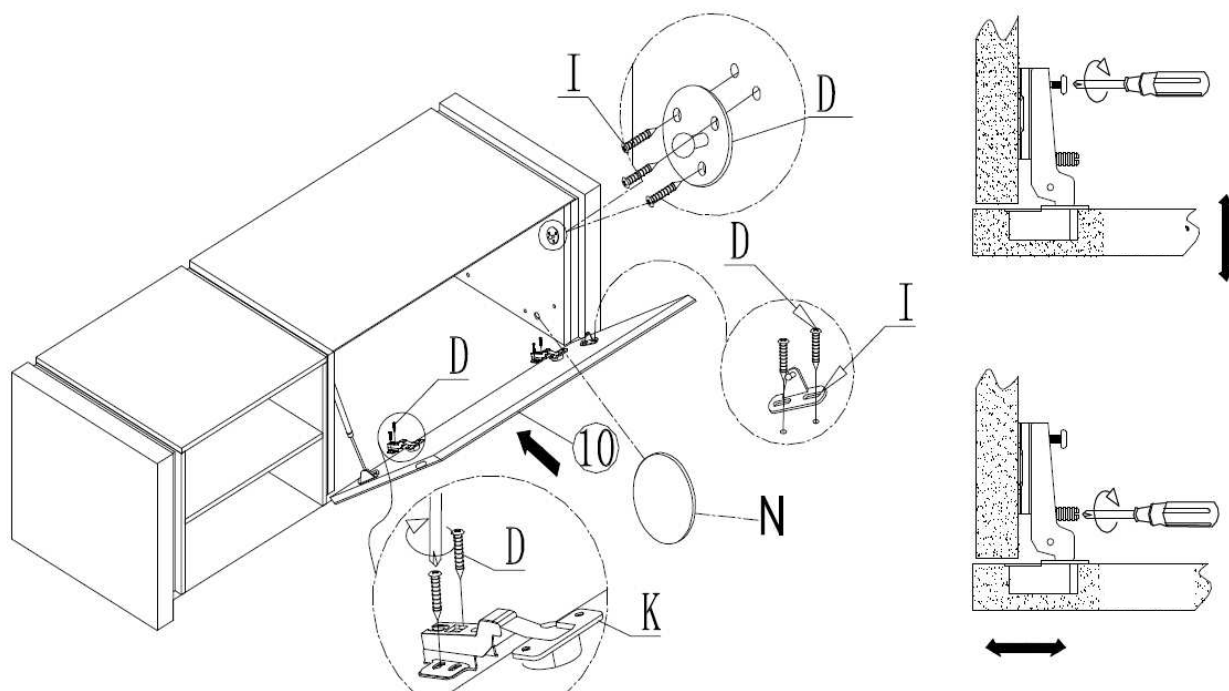


6



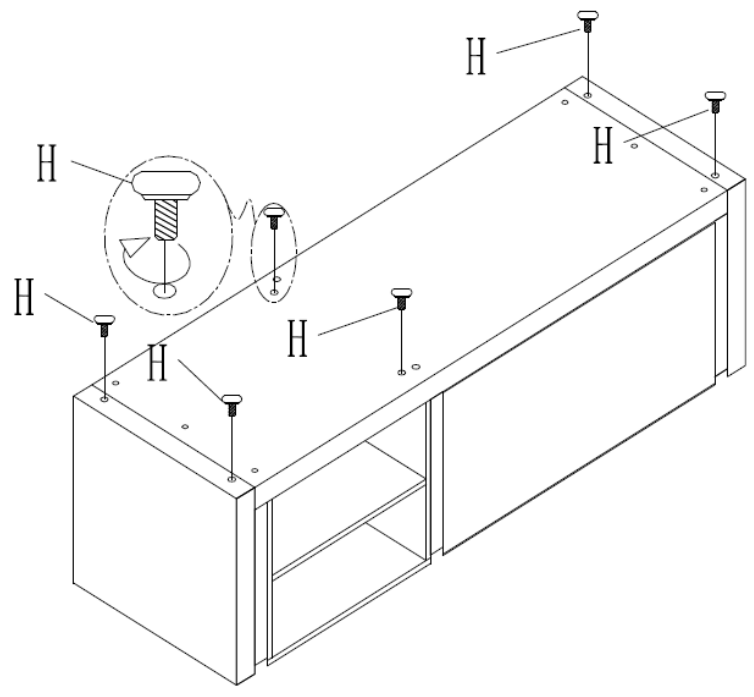
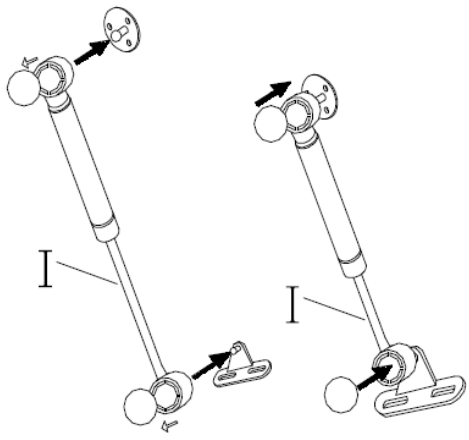


7





8





THAT'S ALL FOLKS!

JULIÀ GRUP Furniture Solutions S.L.

B-17616277

Pol. Ind. Bosc d'en Cuca

C / Tallers, 14

17410 Sils SPAIN

contact@kavehome.com