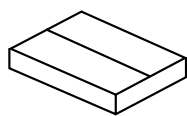
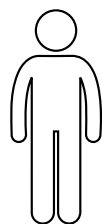


25 min



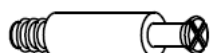
x2



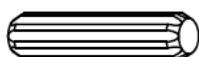
x2



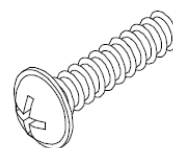
Ax2 (ø15x13,5)



Bx1 (ø6x86)



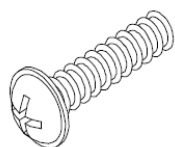
Cx2 (ø8x50)



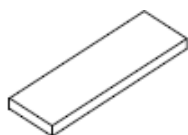
Dx4 (M4x30)



Ex4 (ø20x20)



Fx4 (M4x20)



Gx4 (50x16x2)



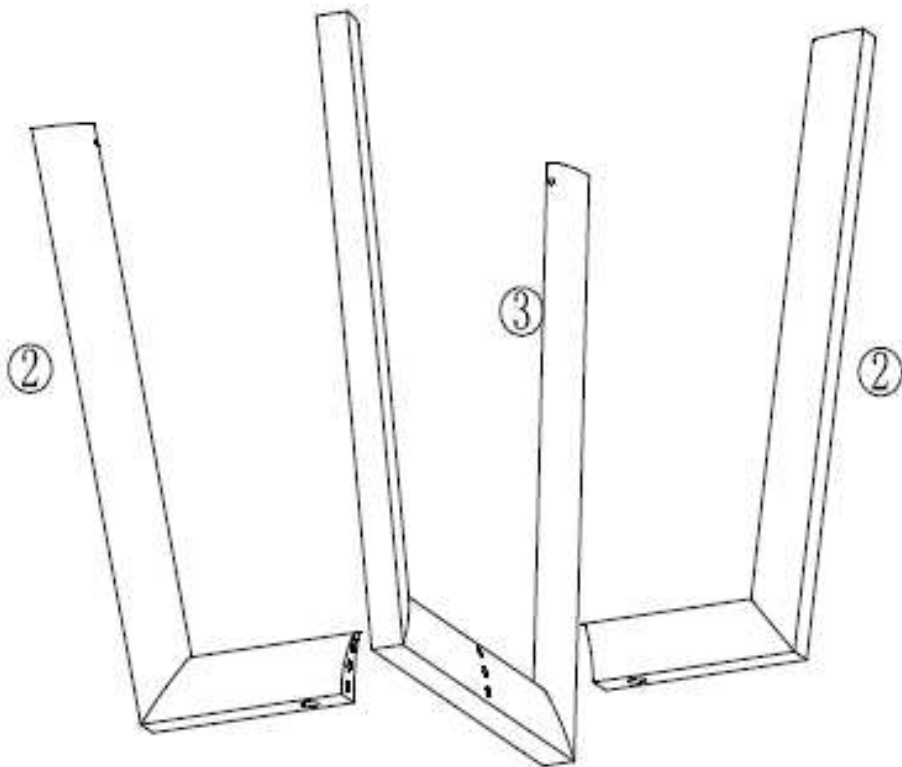
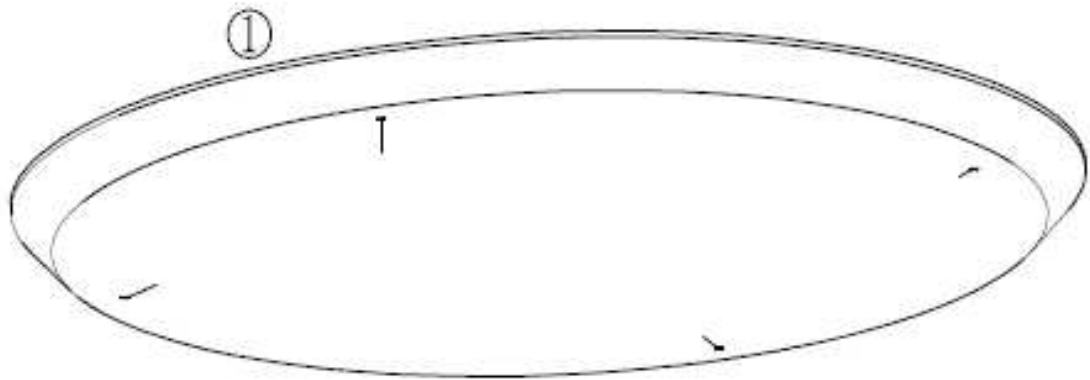
(1)x1



(2)x2

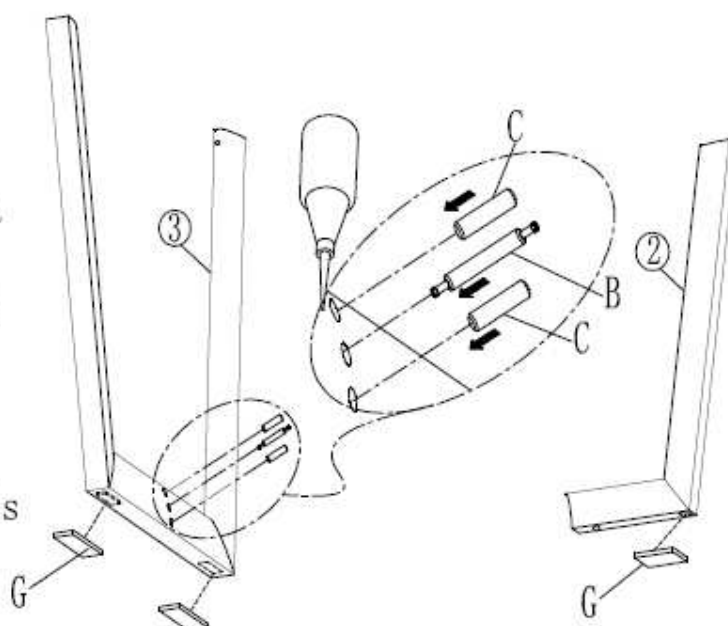


(3)x1



1

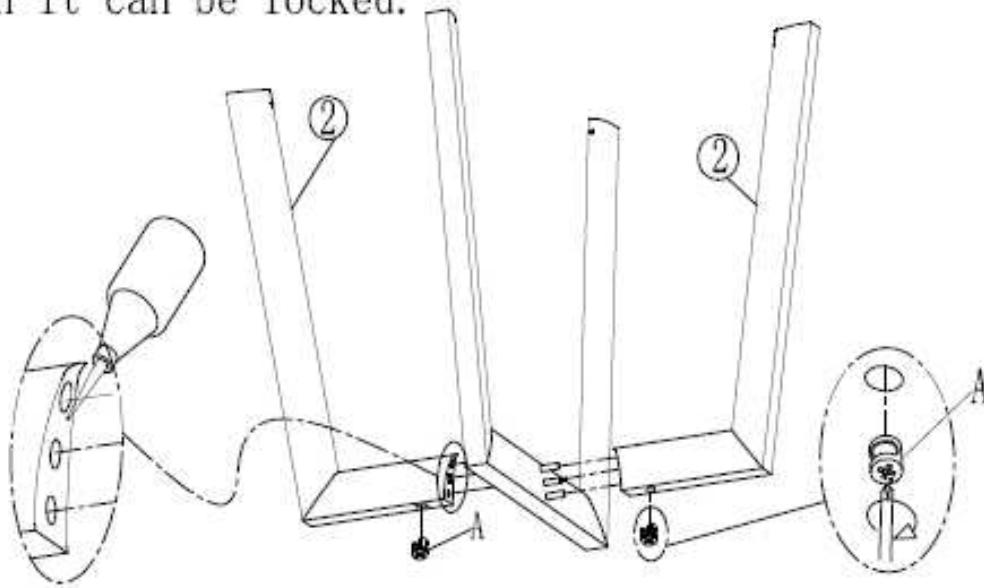
- Se recomienda aplicar cola de madera en este paso.
- It is recommended to apply wood glue in this step.
- Recommandé d'appliquer colle à bois dans cette étape.





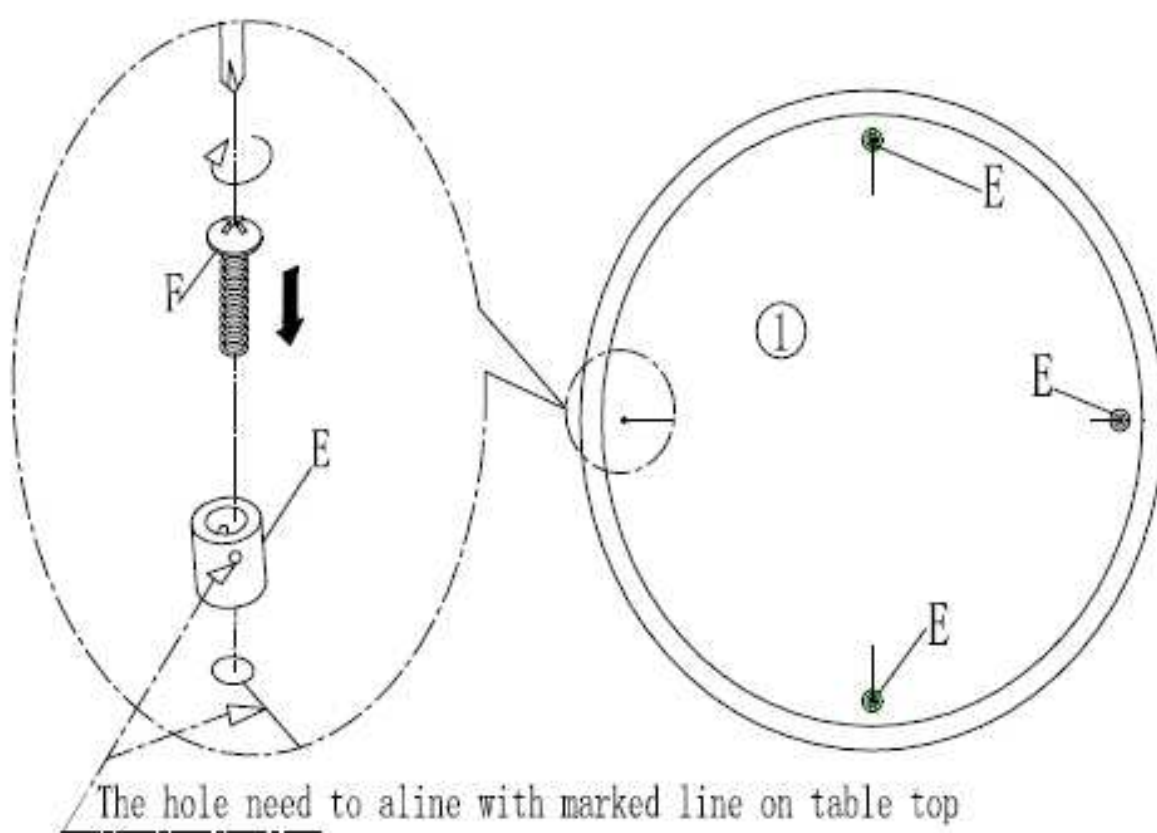
2

When do assembly, parts A should completely sunk into the hole then it can be locked.



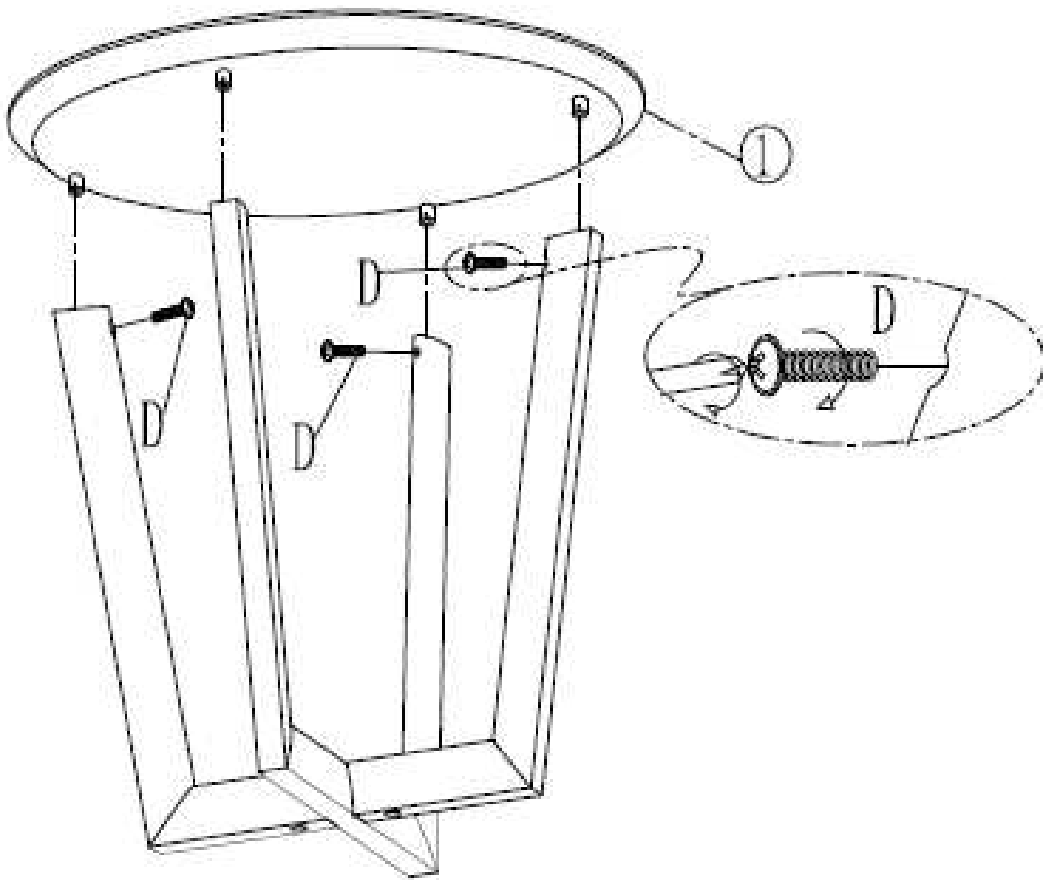


3





4





THAT'S ALL FOLKS!

JULIÀ GRUP Furniture Solutions S.L.

B-17616277

Pol. Ind. Bosc d'en Cuca

C / Tallers, 14

17410 Sils SPAIN

contact@kavehome.com