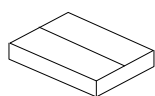
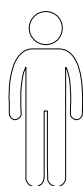




30 min



x1



x1



F=1PC



G=1PC



H=2PCS



M5  
A=1PC



M8\*35  
B=4PCS



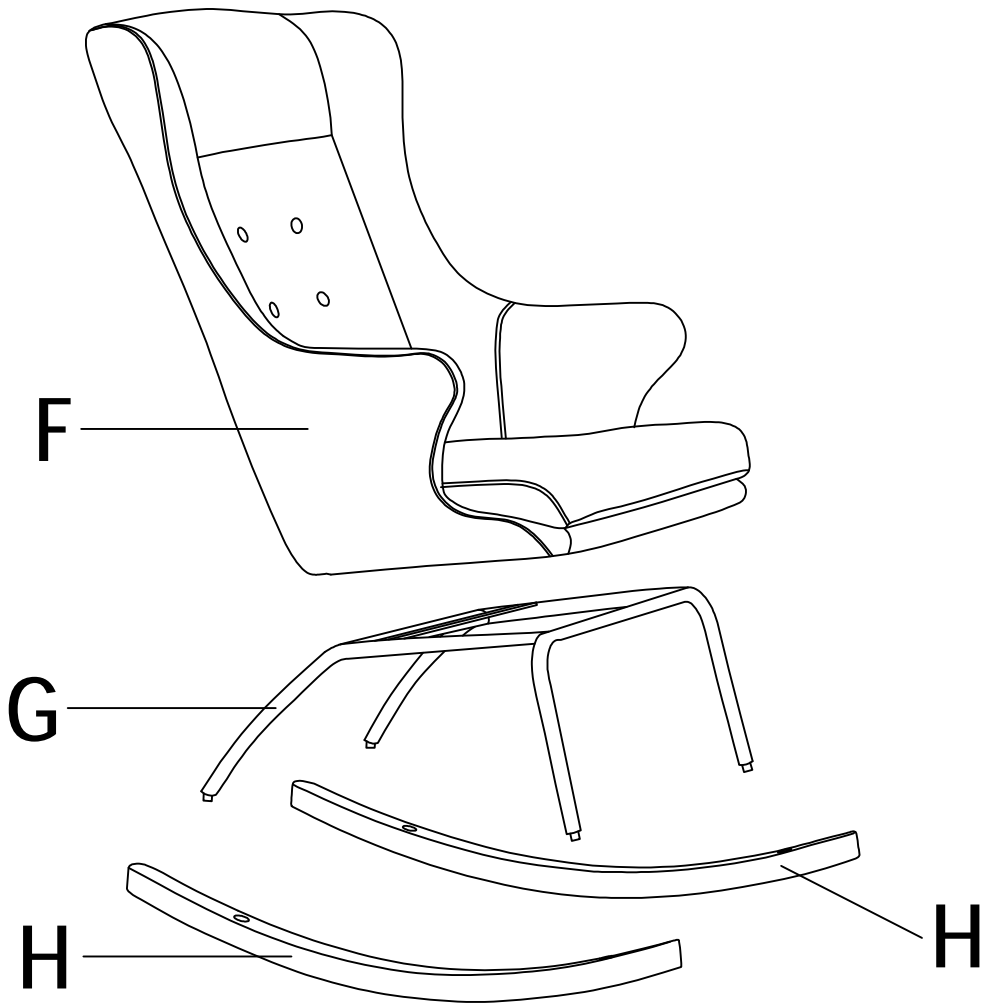
M8\*15  
C=4PCS



D=4PCS

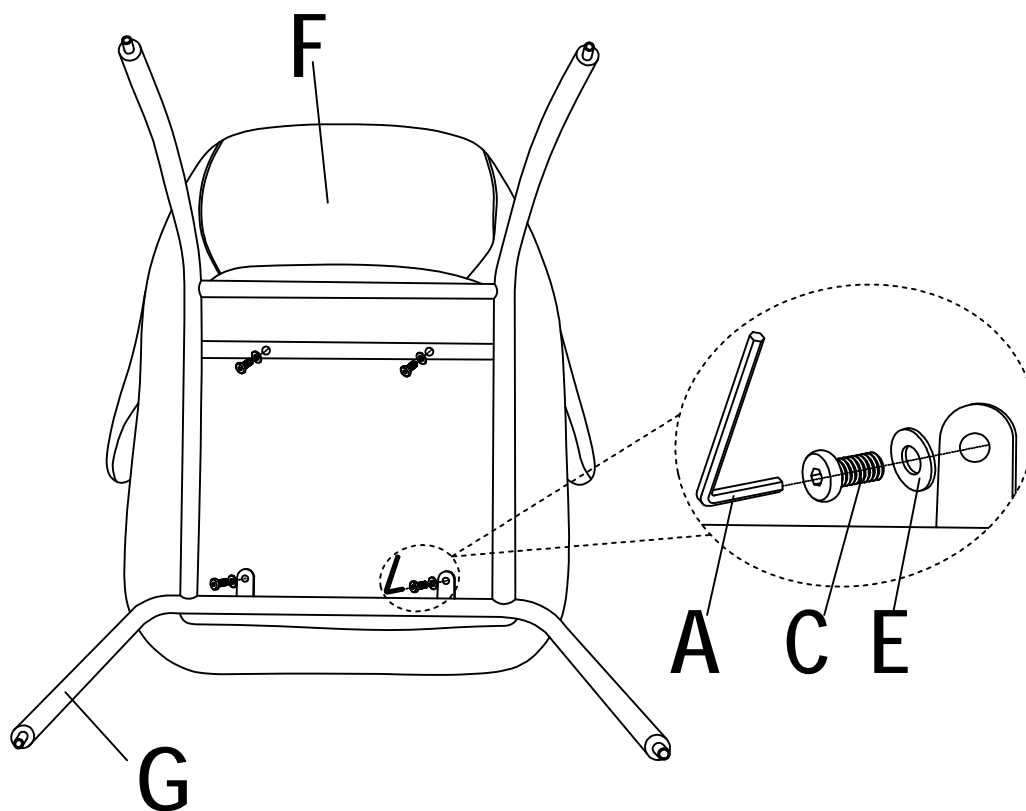


E=8PCS

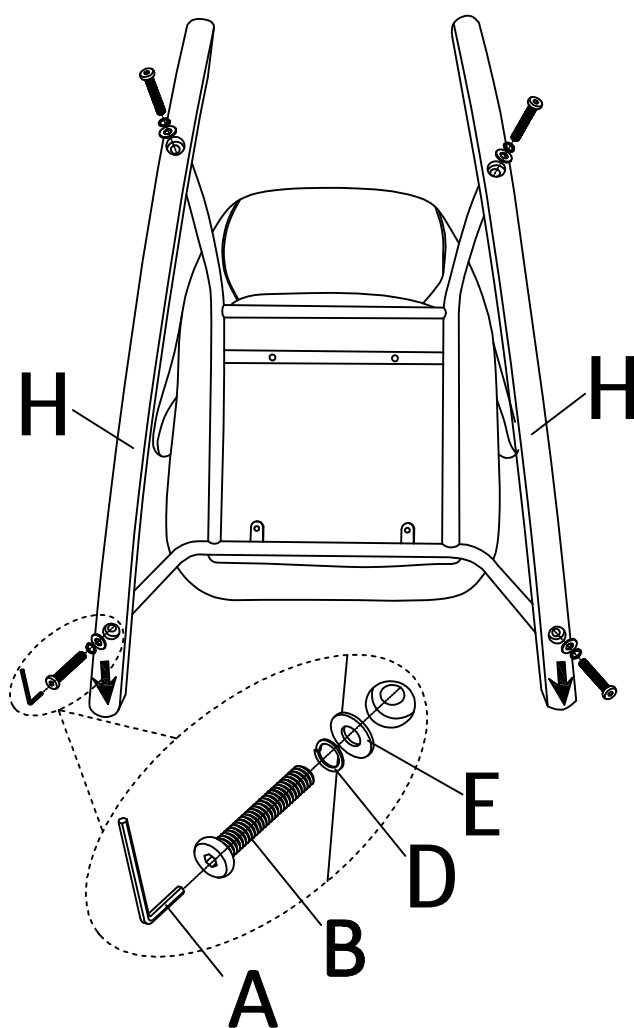




①



②







**JULIÀ GRUP Furniture Solutions S.L.**

B-17616277

Pol. Ind. Bosc d'en Cuca

C / Tallers, 14

17410 Sils SPAIN

[contact@kavehome.com](mailto:contact@kavehome.com)