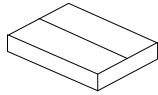
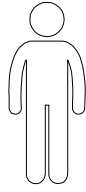




30 min



x1



x1



H=1PC



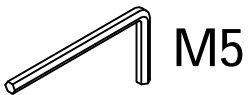
J=1PC



K=1PC



L=2PCS



A=1PC



B=1PC



C=6PCS



D=6PCS



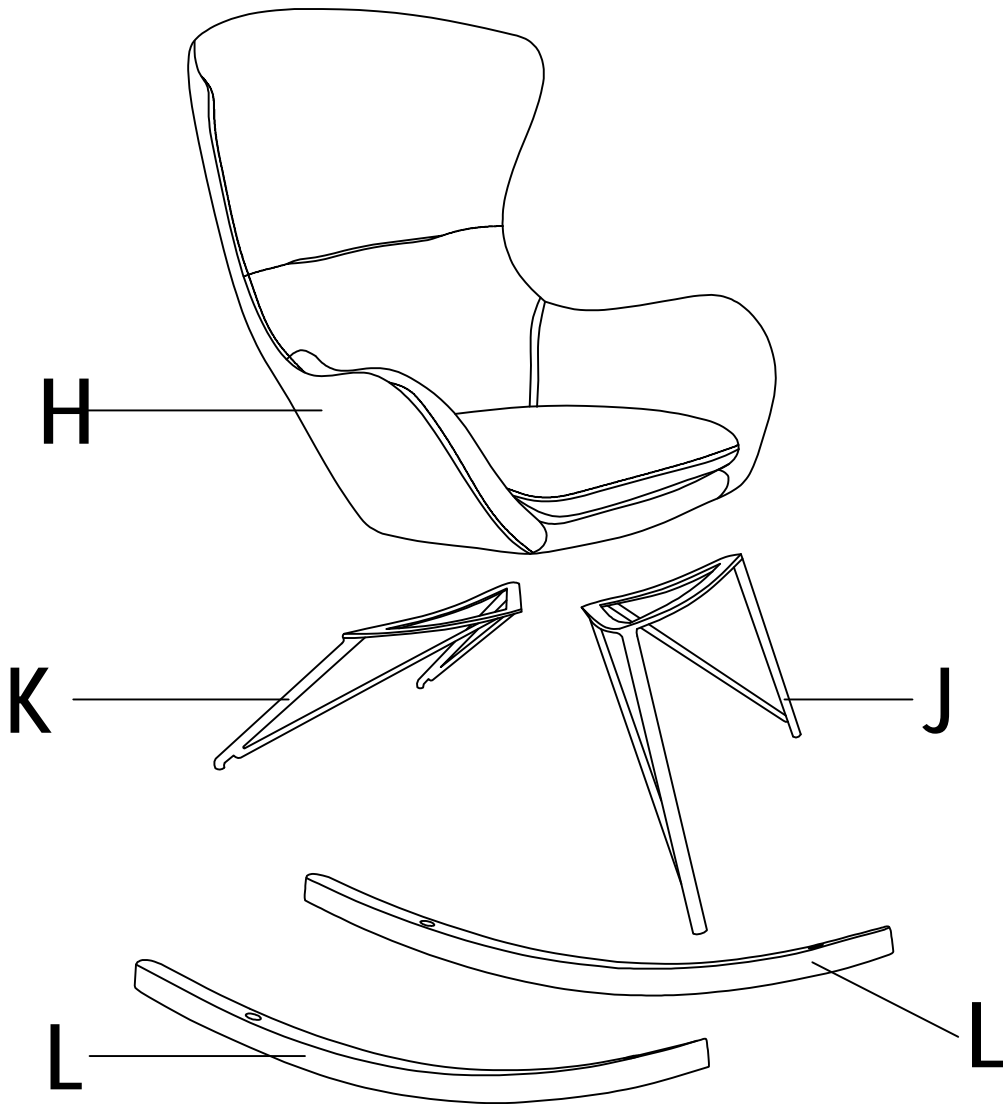
E=4PCS

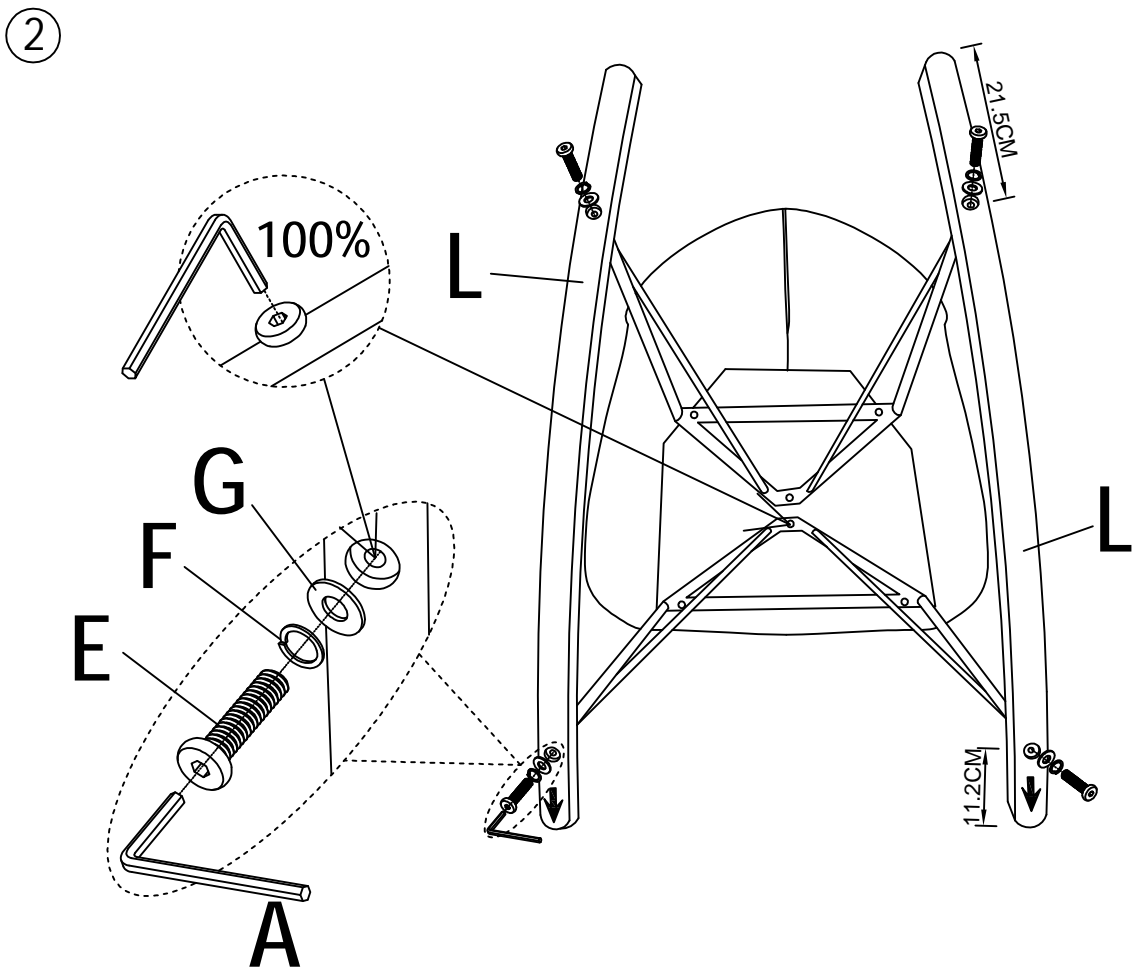
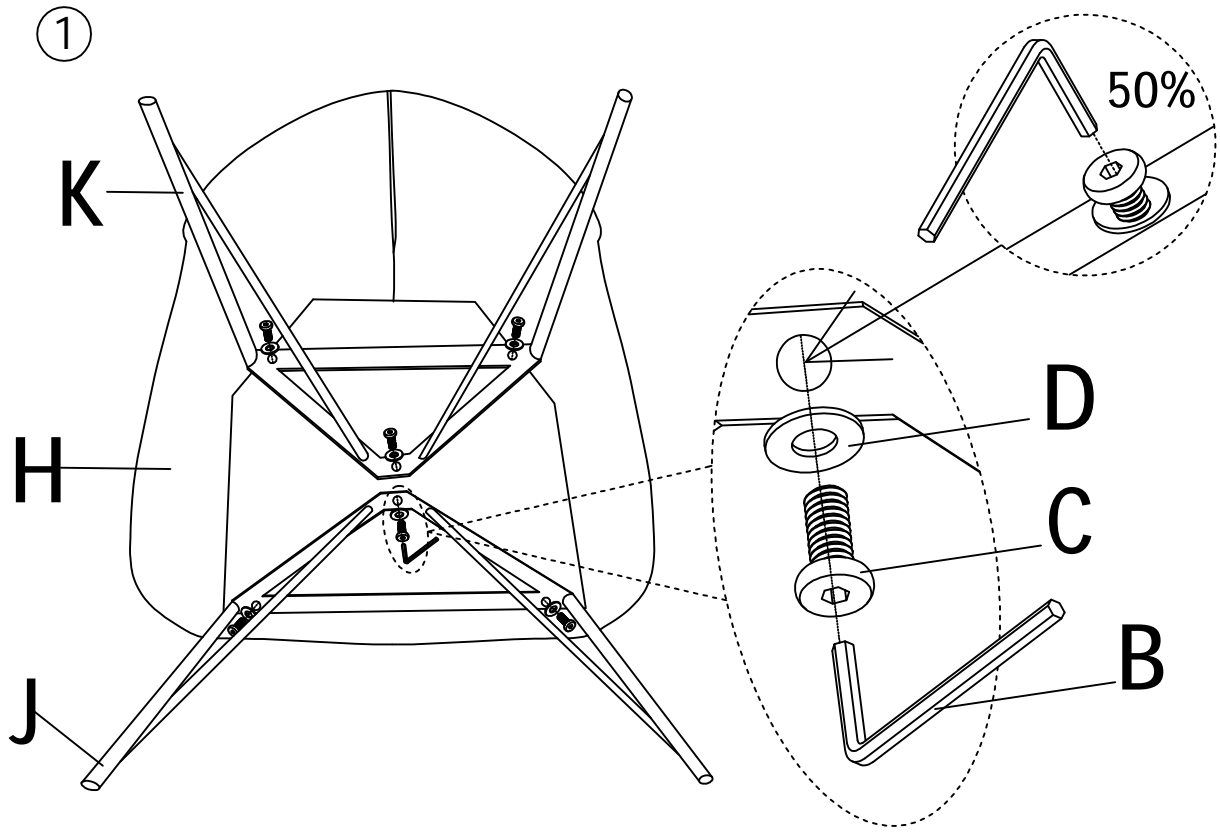


F=4PCS



G=4PCS









**JULIÀ GRUP Furniture Solutions S.L.**

B-17616277

Pol. Ind. Bosc d'en Cuca

C / Tallers, 14

17410 Sils SPAIN

[contact@kavehome.com](mailto:contact@kavehome.com)