

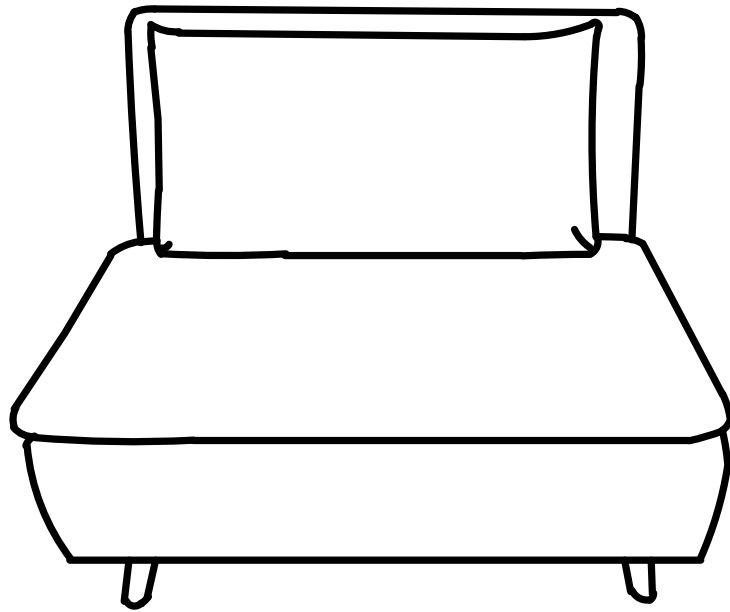
FEÁ à ~~AAAAAAAAAAAAAAAAAAAAAAAAAAAAAAAA~~AAAAAAAAAAAAAAAAAAAAAAAAAAAAAAAAG

A  4PCS

B  1PCS

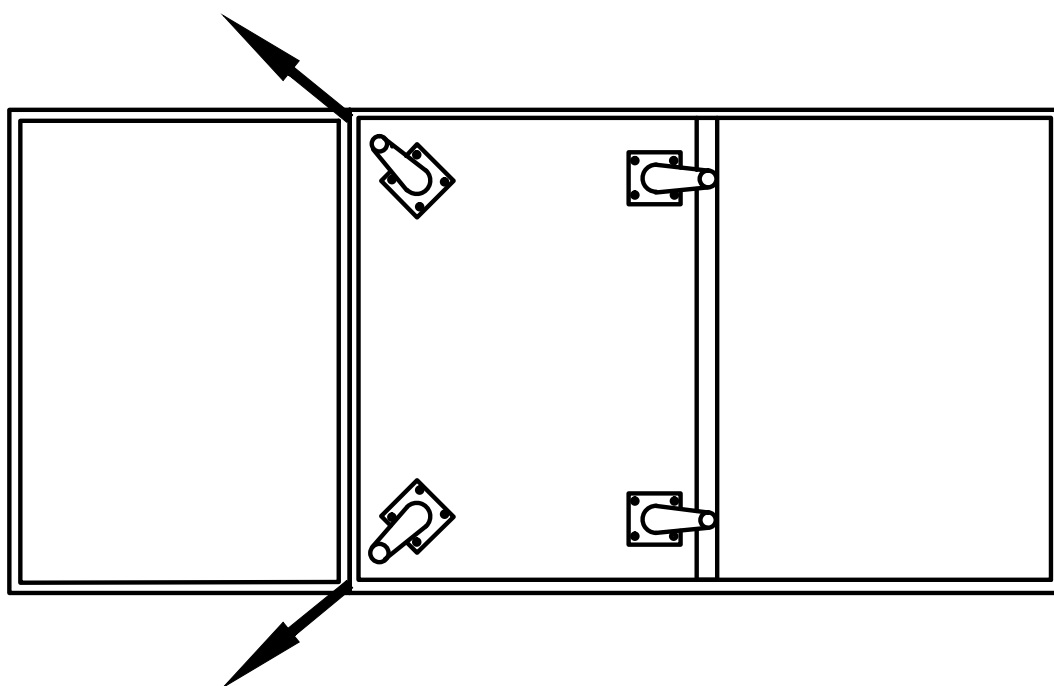
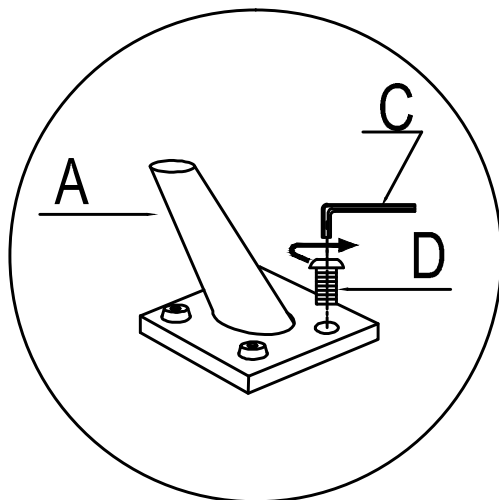
C  1PCS

D  16PCS



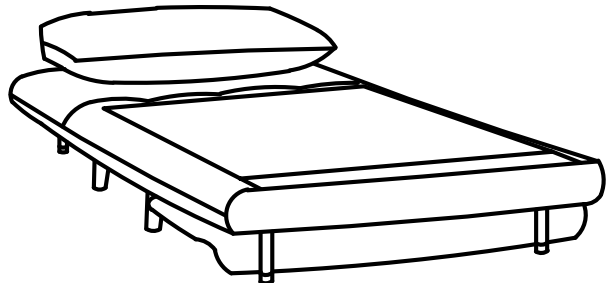
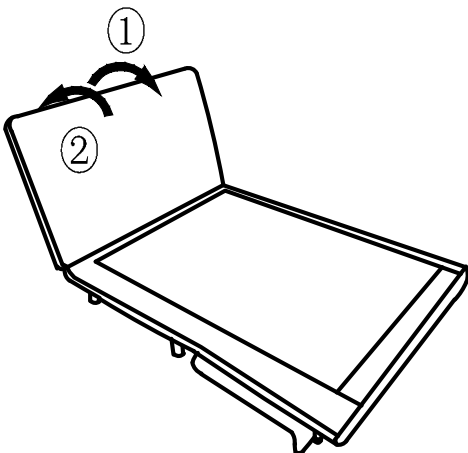
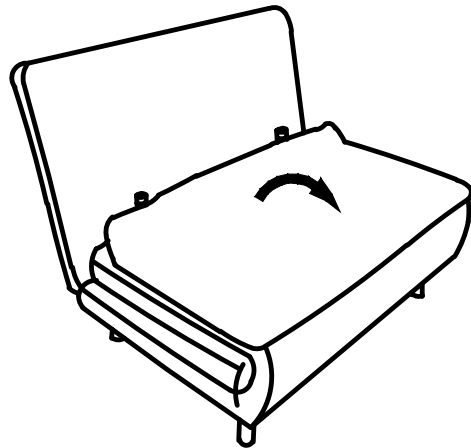
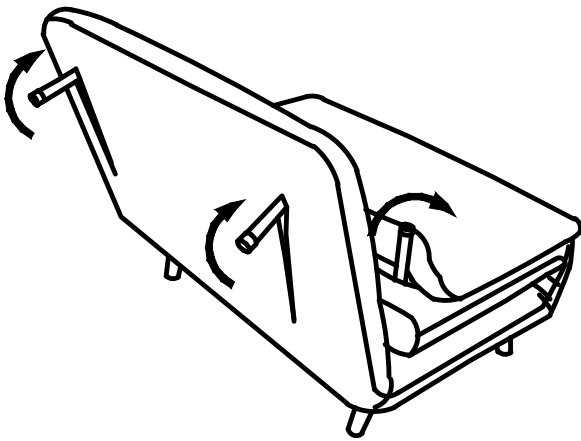
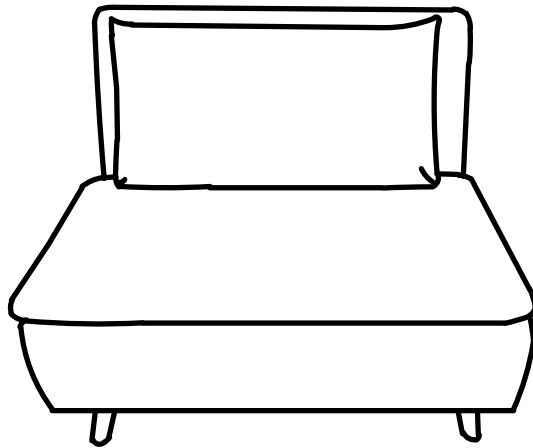


1



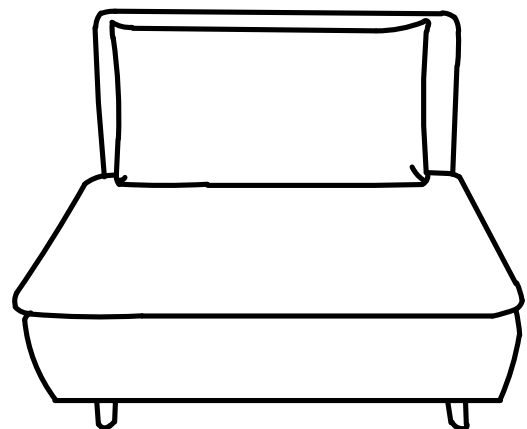
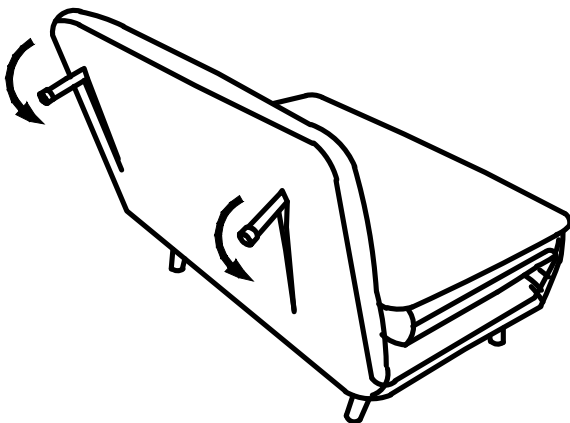
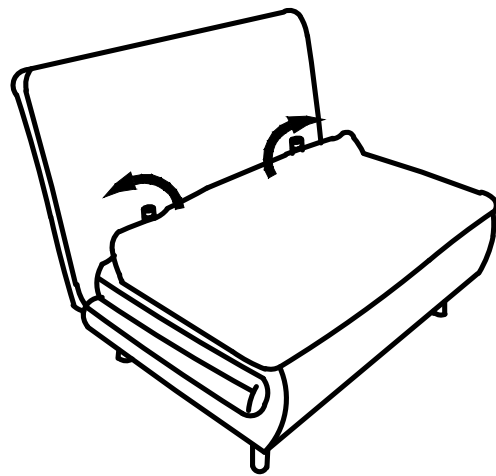
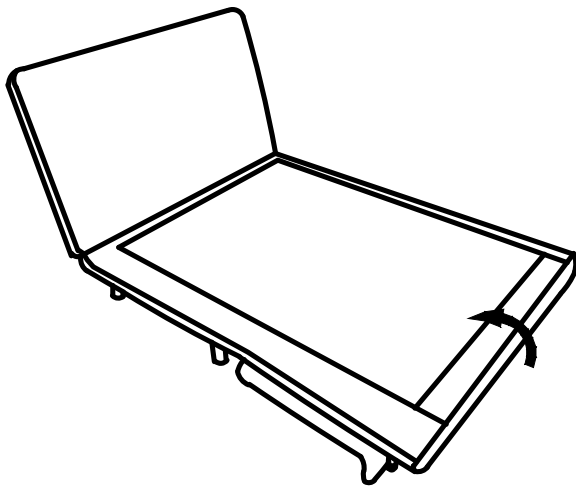
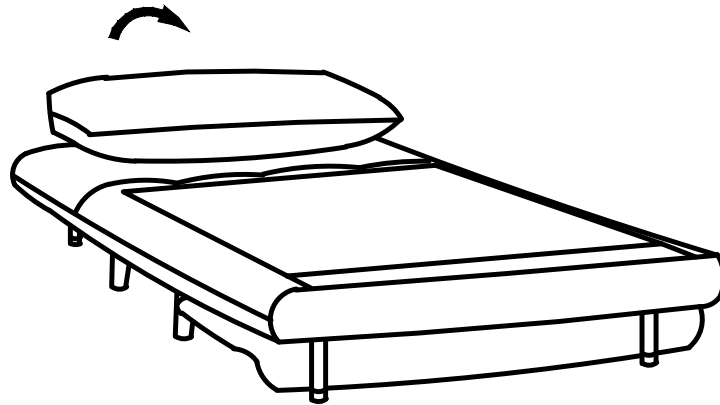


2





3



**JULIÀ GRUP Furniture Solutions S.L.**

B-17616277

Pol. Ind. Bosc d'en Cuca

C / Tallers, 14

17410 Sils SPAIN

[contact@kavehome.com](mailto:contact@kavehome.com)