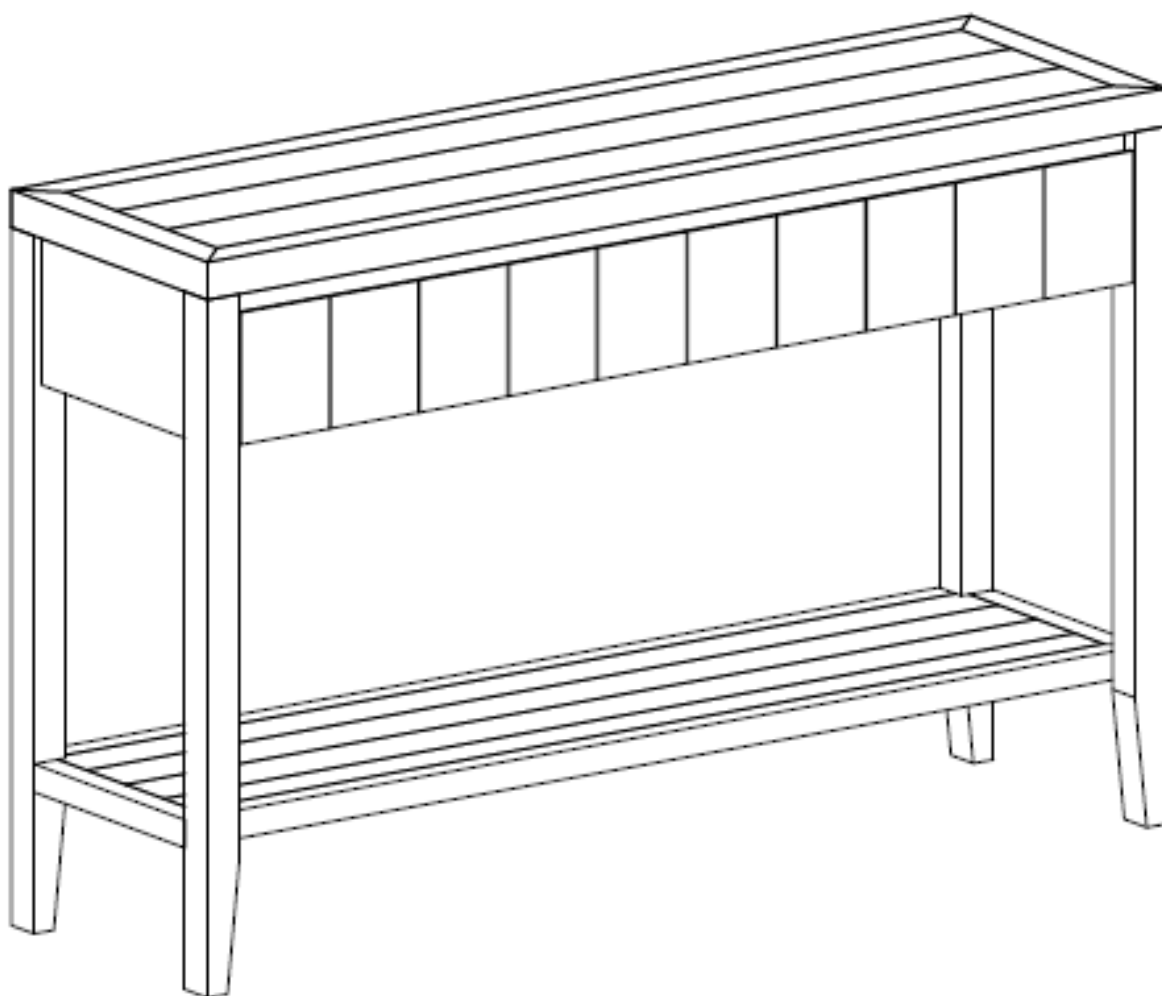
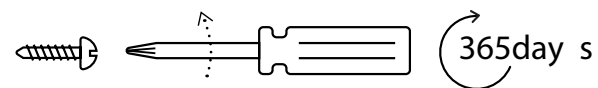
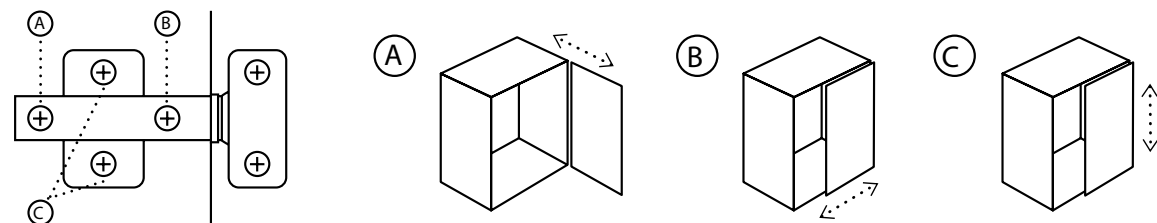
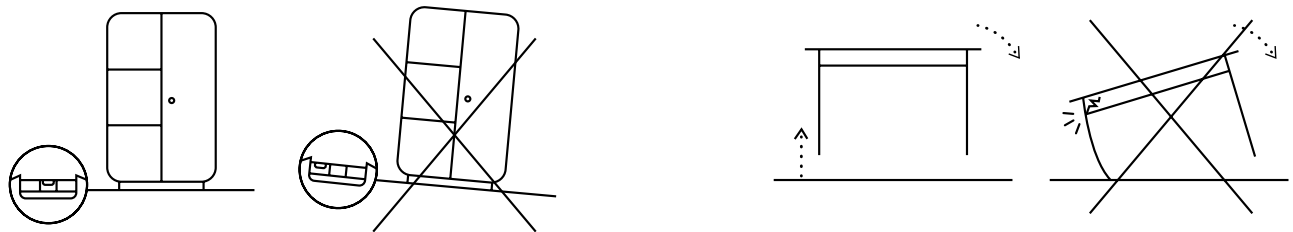
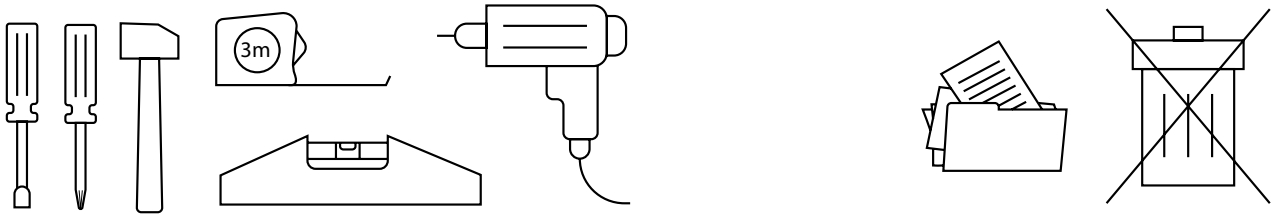
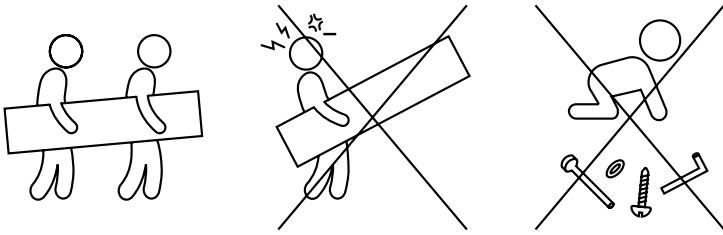




**WD004**

---







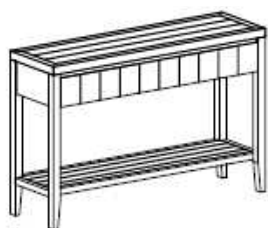
30 min



x1



x2



A x1



B x2



C x2



D x2

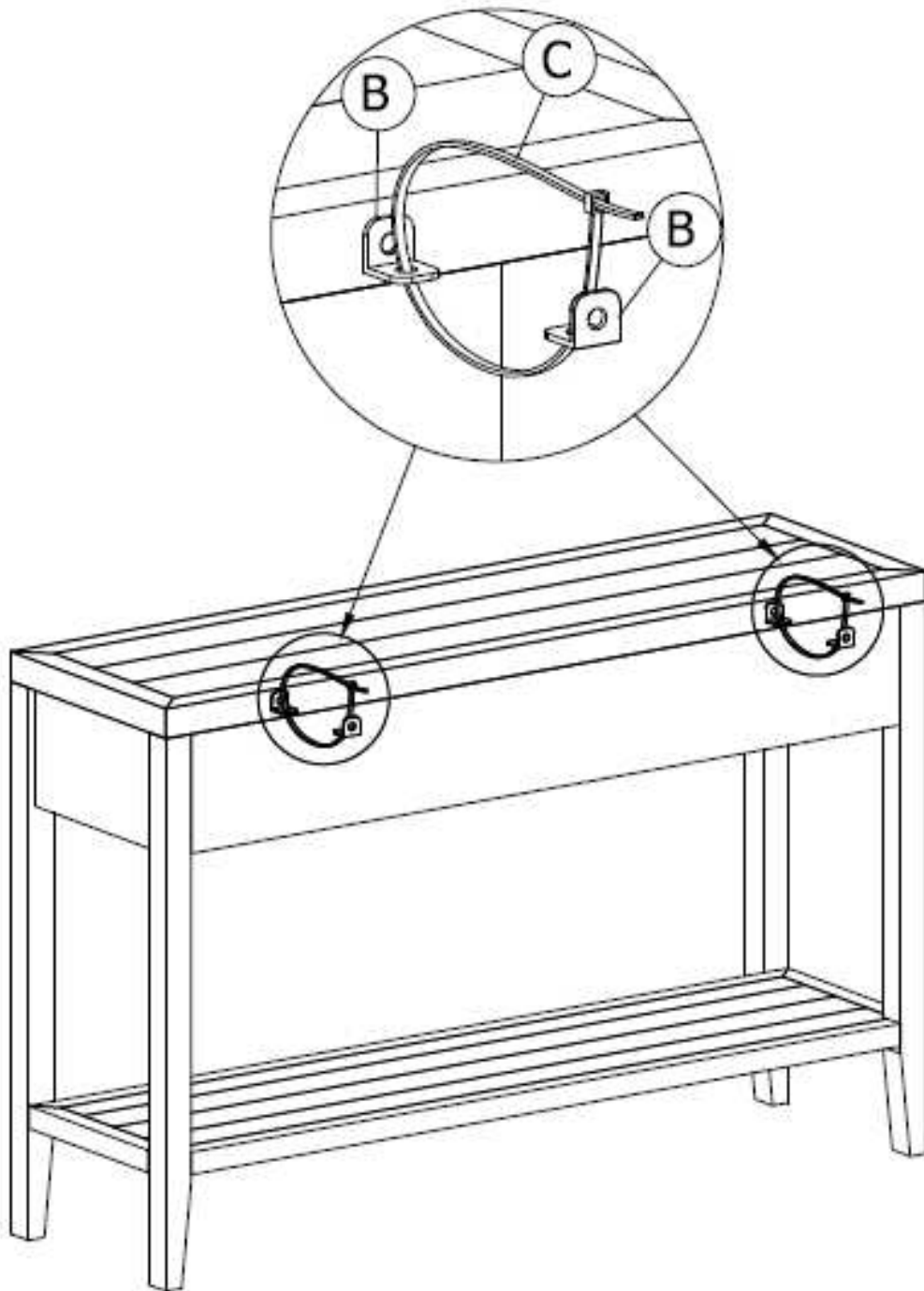


E x2

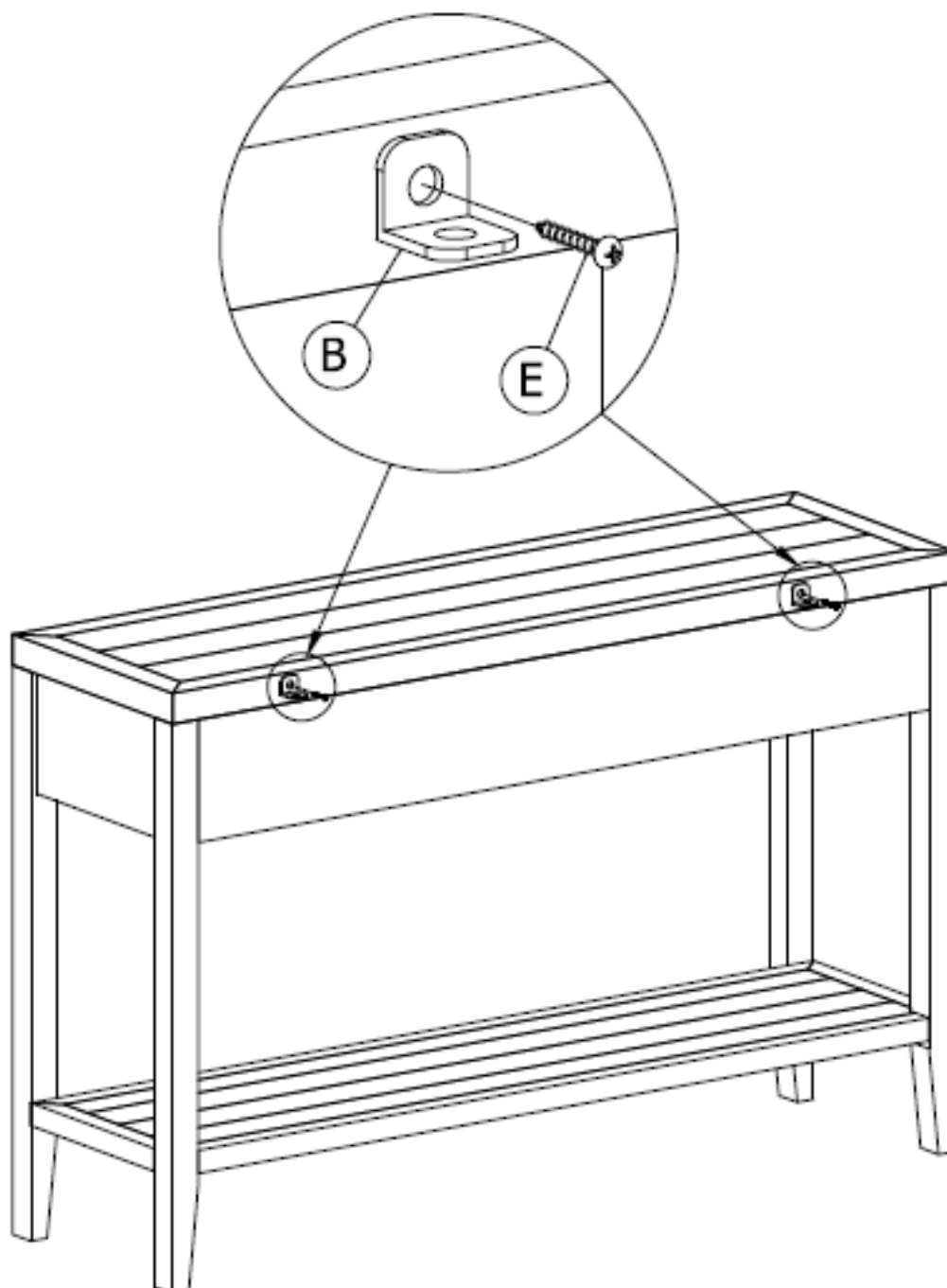


F x2



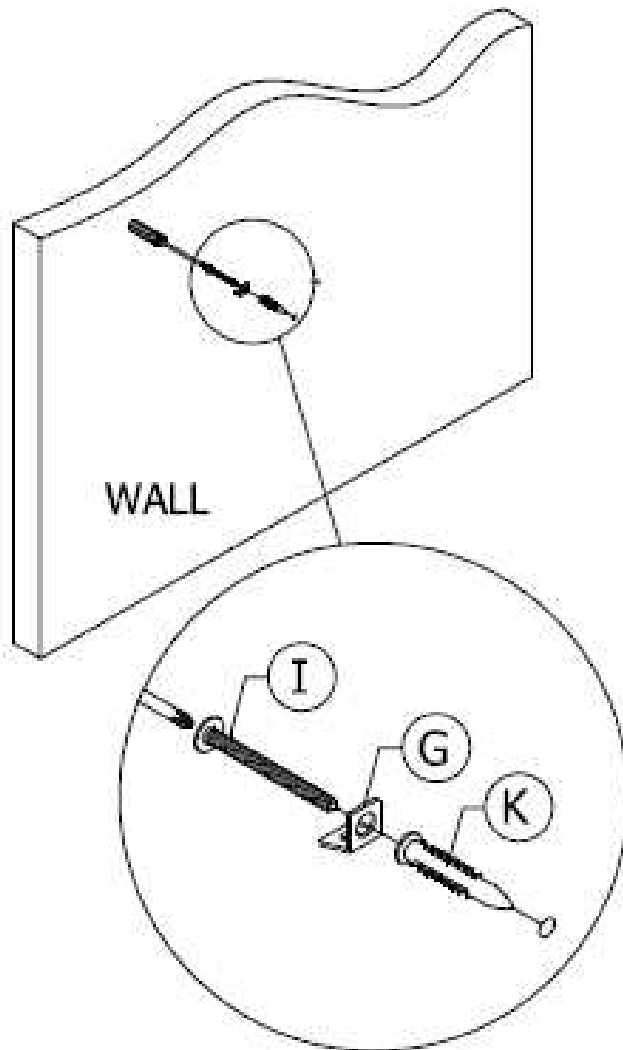


1

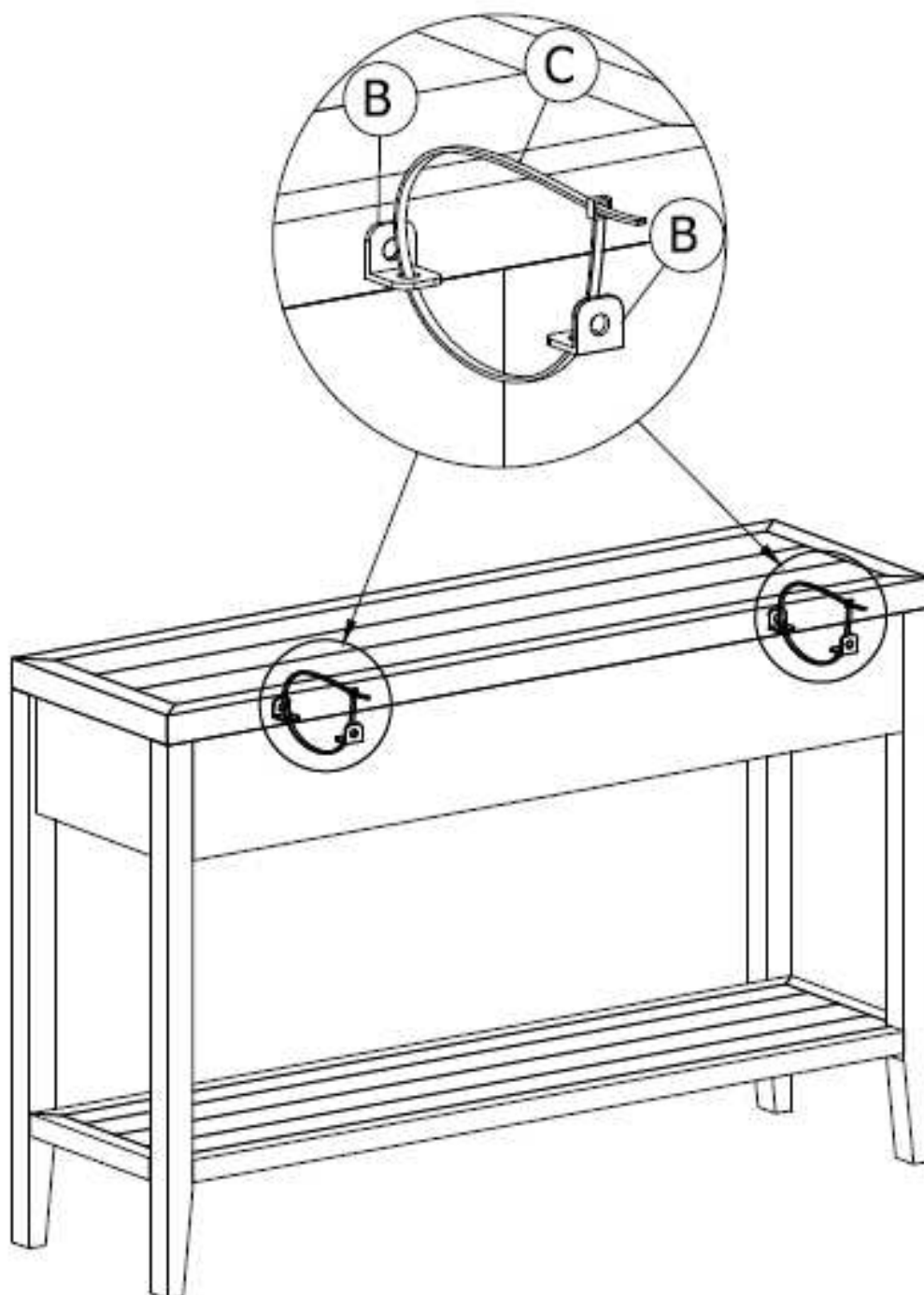




2



3



**JULIÀ GRUP Furniture Solutions S.L.**

B-17616277

Pol. Ind. Bosc d'en Cuca

C / Tallers, 14

17410 Sils SPAIN

[info@juliagrup.com](mailto:info@juliagrup.com)