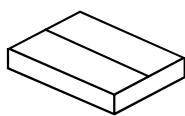
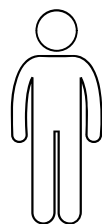


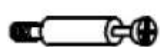
30 min



x2



x2



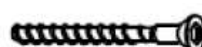
A x16 ( $\phi 6 \times 36$ )



B x16 ( $\phi 15 \times 10$ )



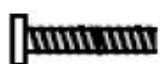
C x24 ( $\phi 7.8 \times 30$ )



D x8 ( $7 \times 50$ )



E x16 ( $15 \times 10$ )



F x9 ( $M6 \times 50$ )



G x8 ( $\phi 16 \times \phi 8$ )



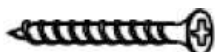
H x8 ( $\phi 16 \times \phi 6.5$ )



I x8 ( $\phi 5 \times 16$ )



J x45 ( $3.5 \times 14$ )



K x9 ( $4 \times 35$ )



L x12



M x4



N x1 ( $M4$ )



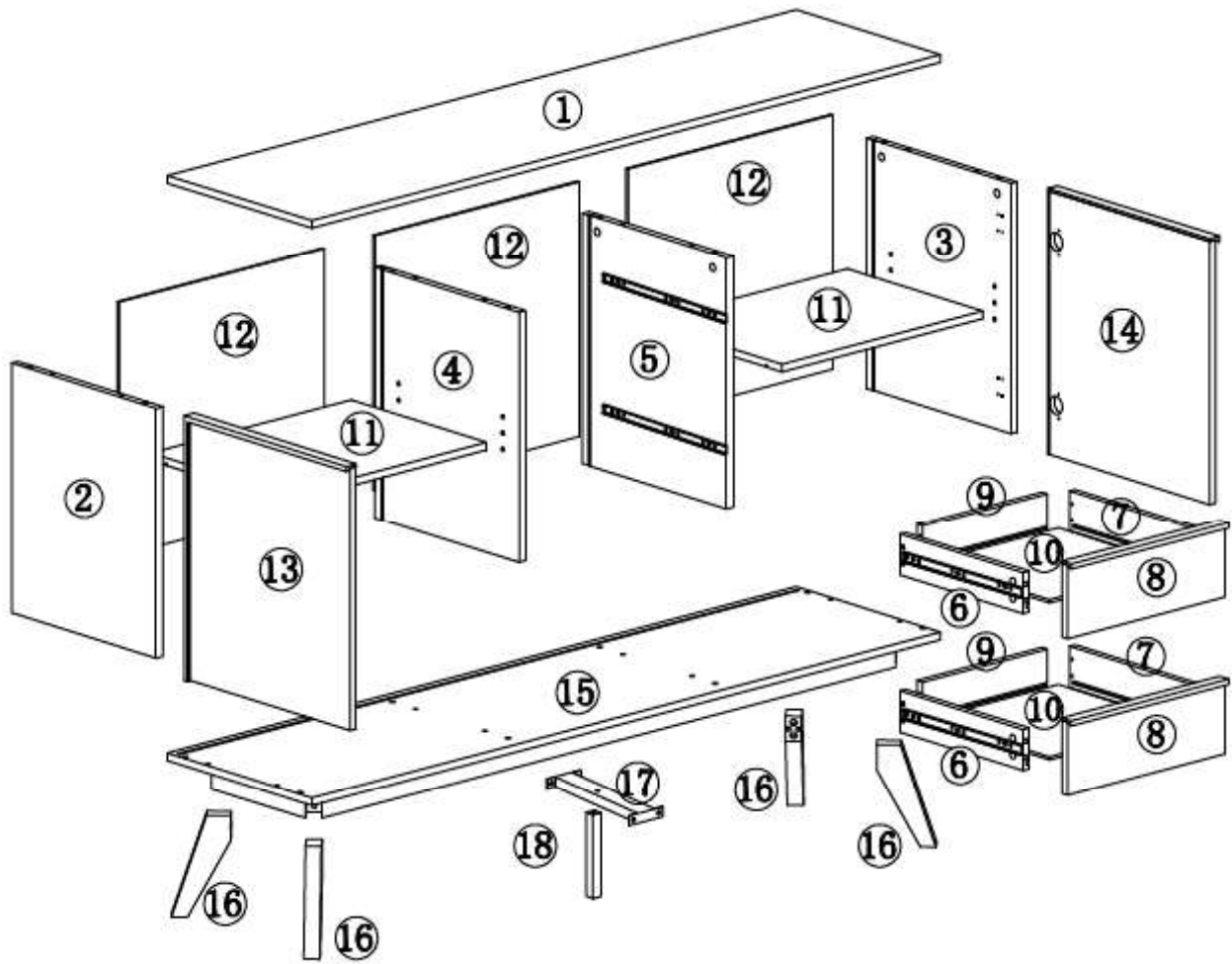
P x4 ( $M6 \times 15$ )



Q x1 ( $\phi 23 \times 25$ )

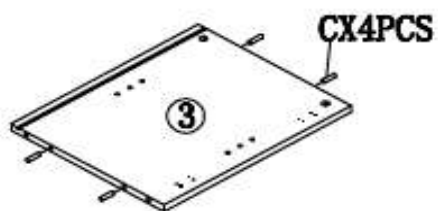
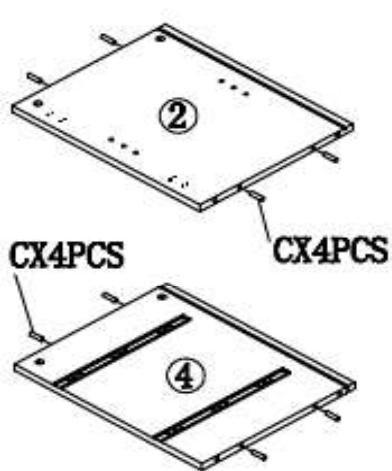
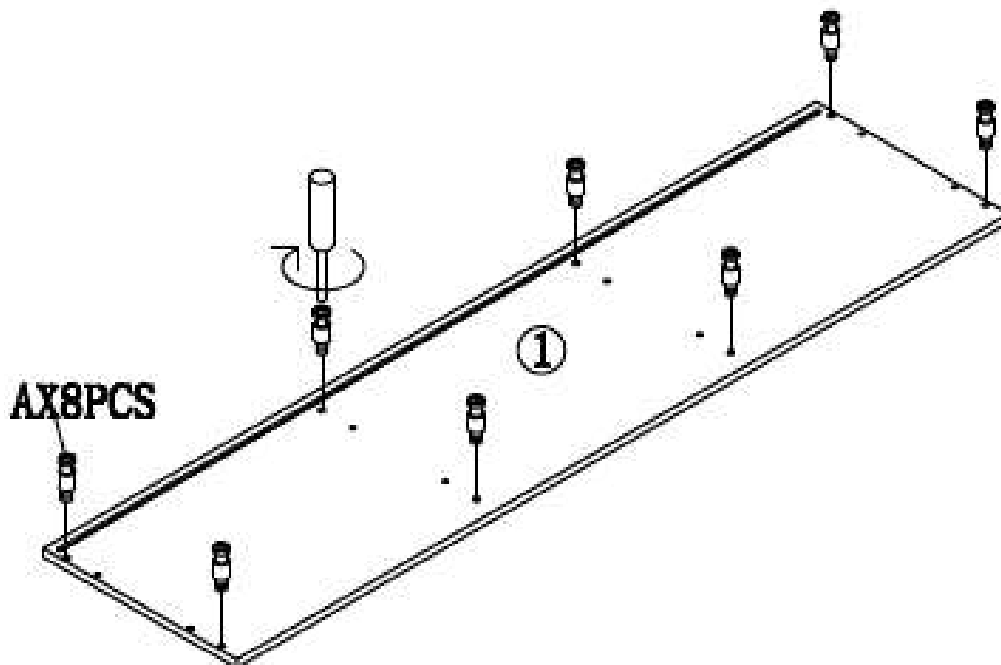


R x1



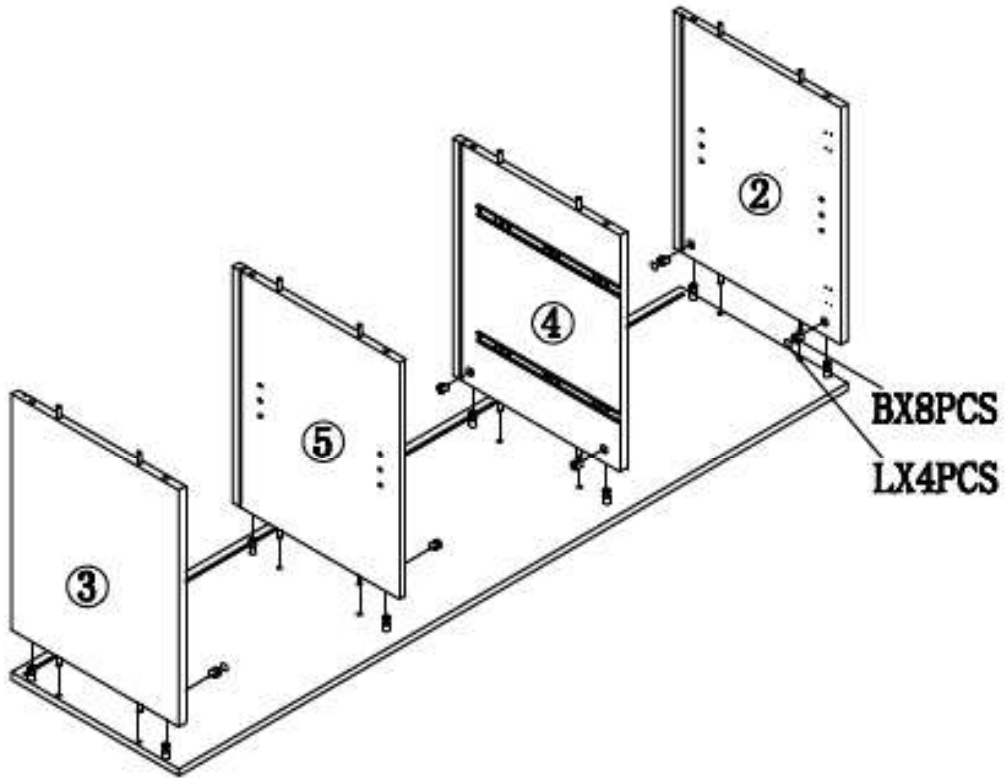


1



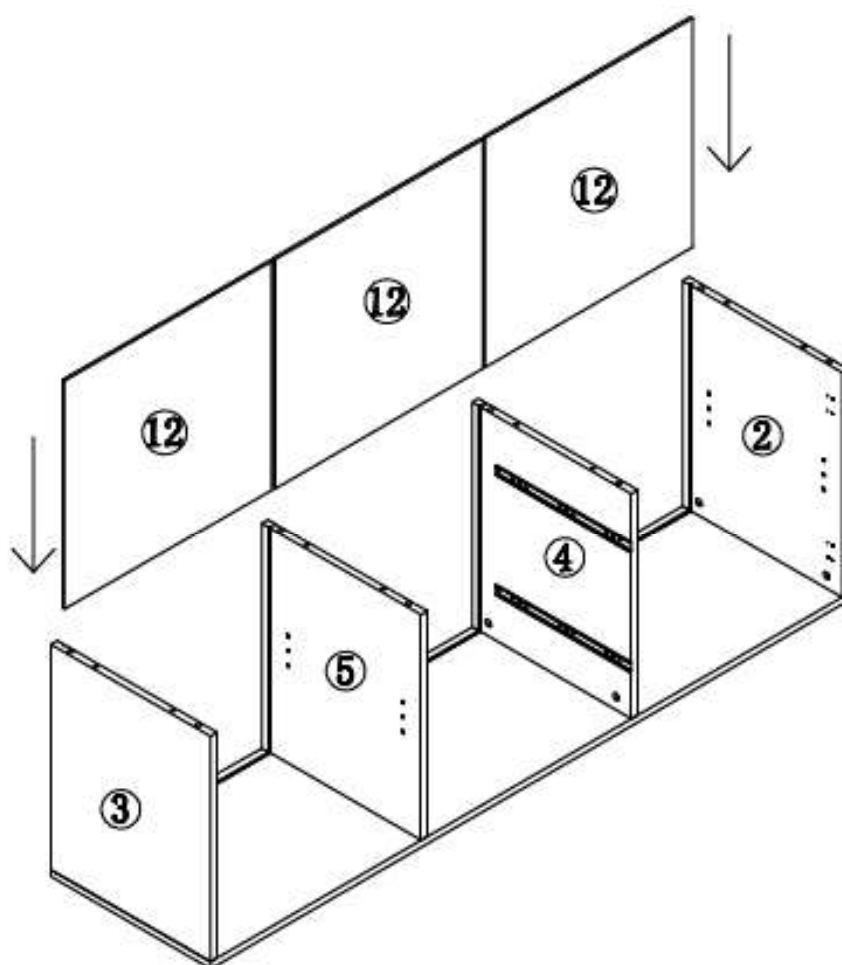


2



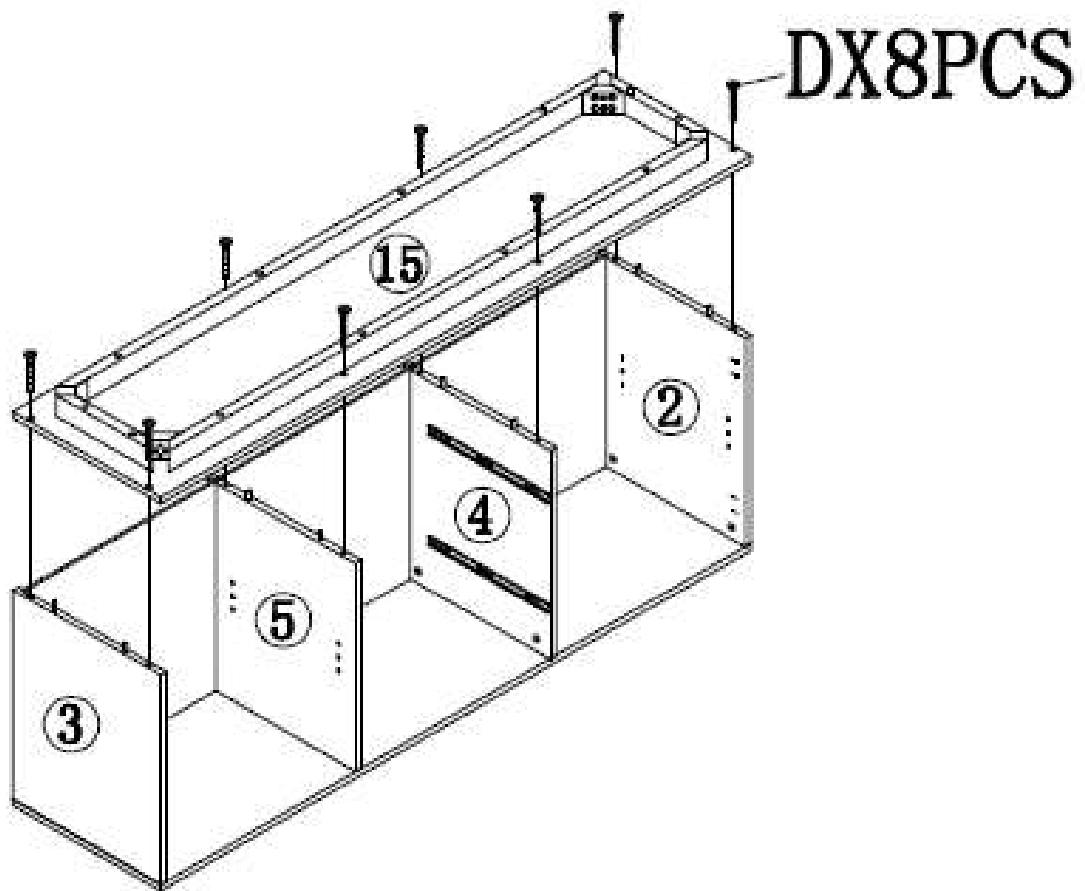


3





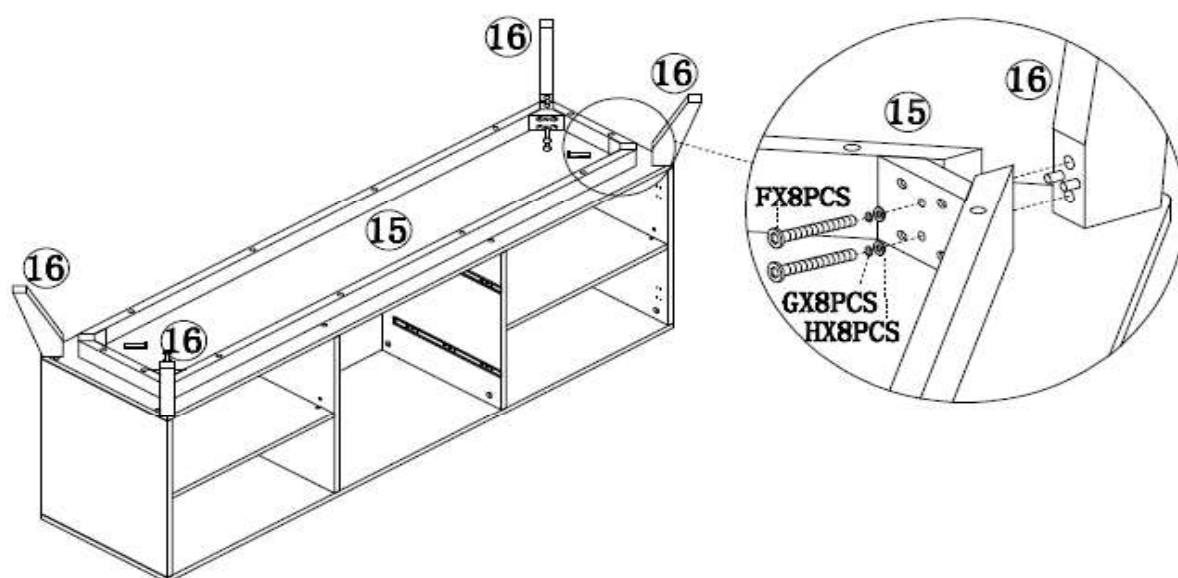
4





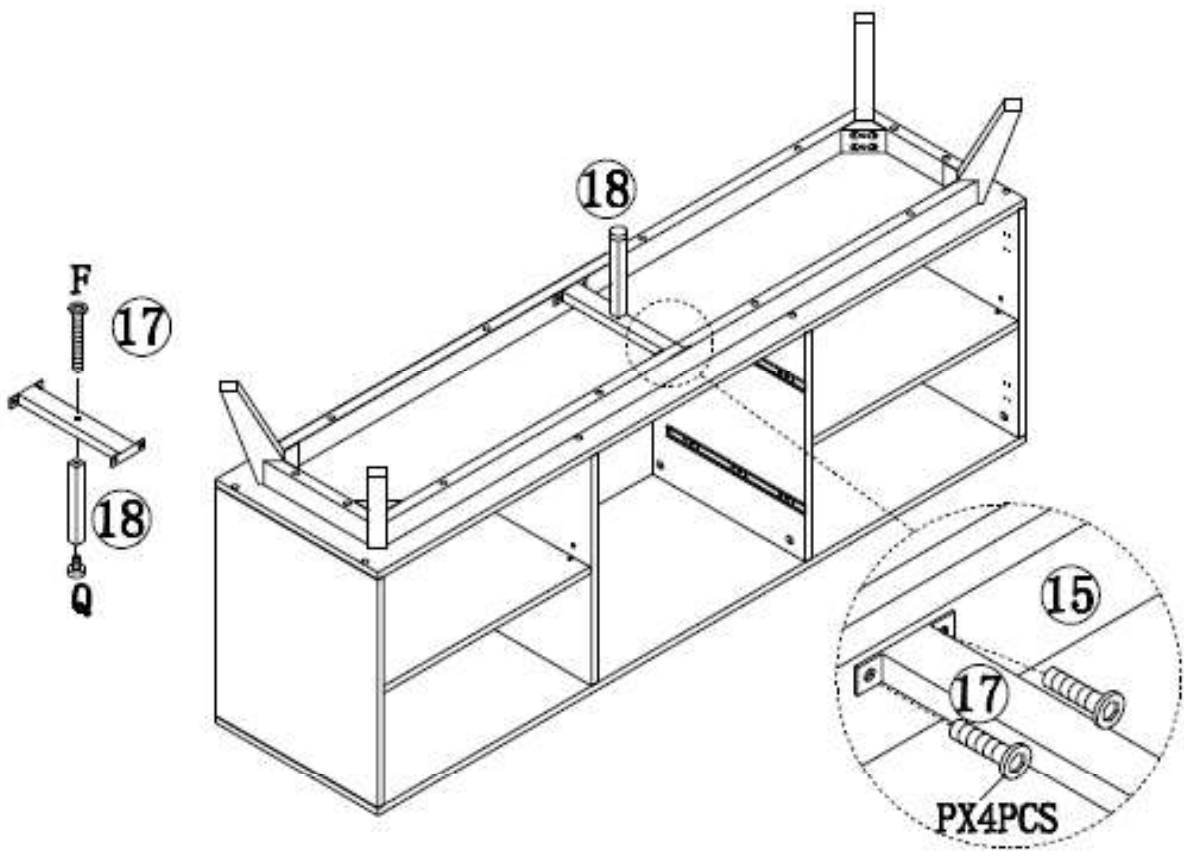


5



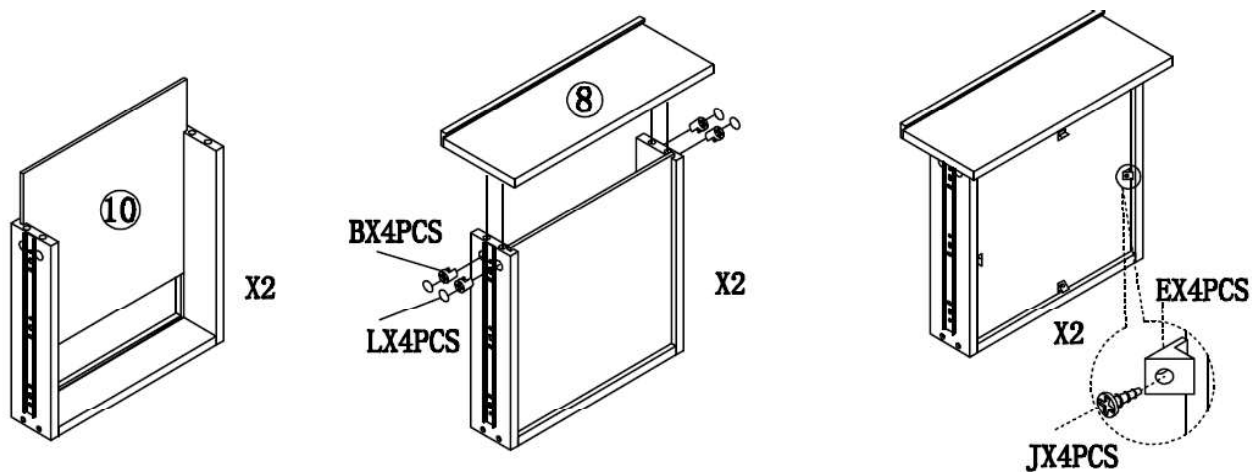
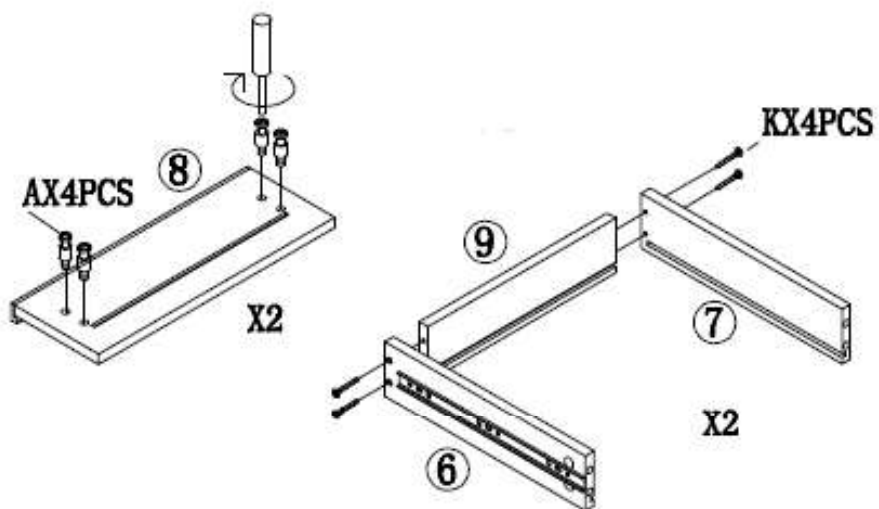


6



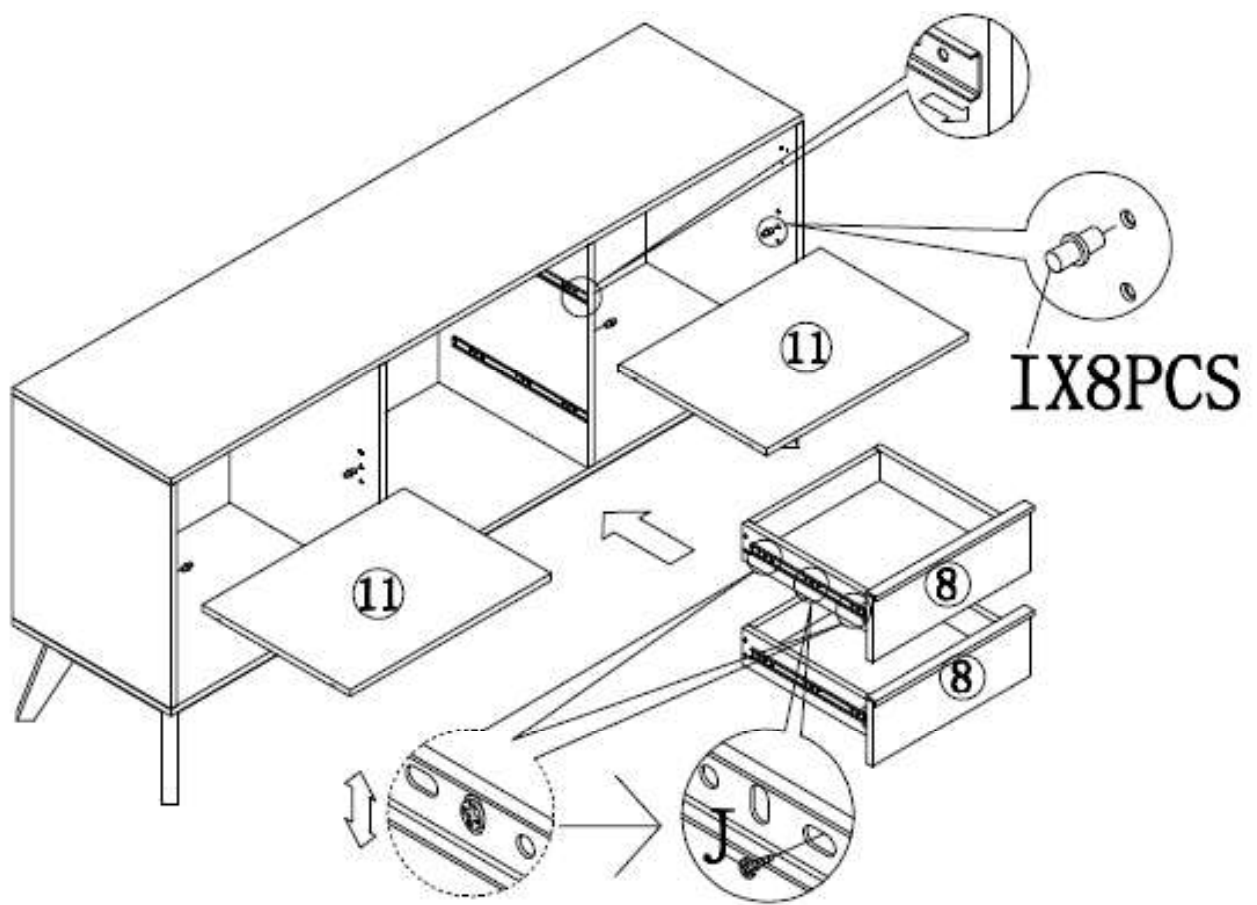


7

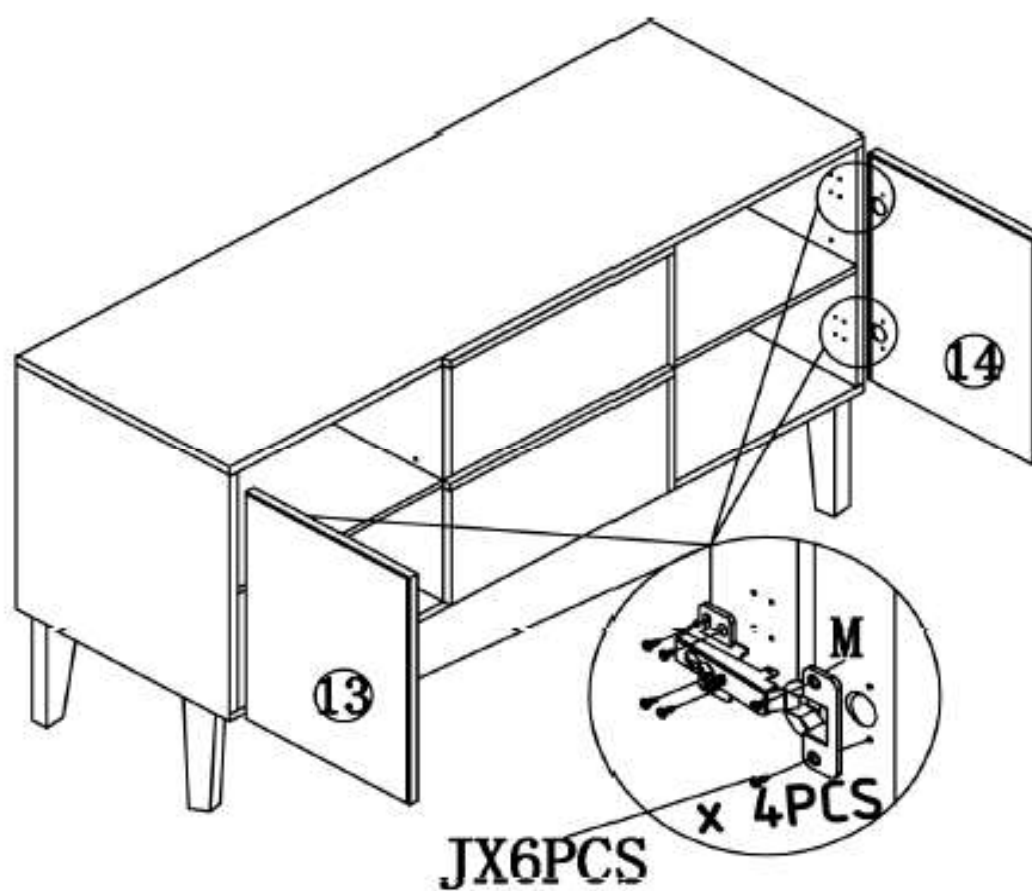




8

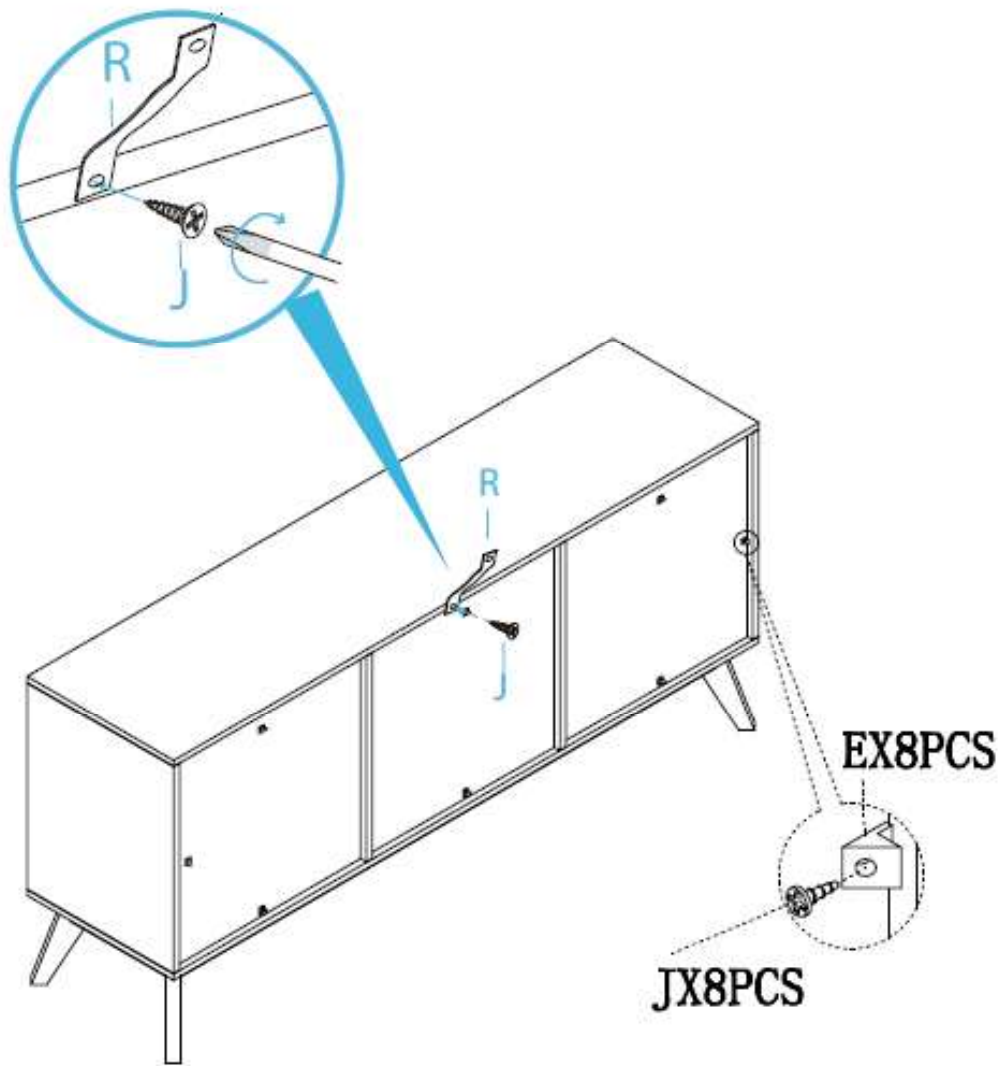


9



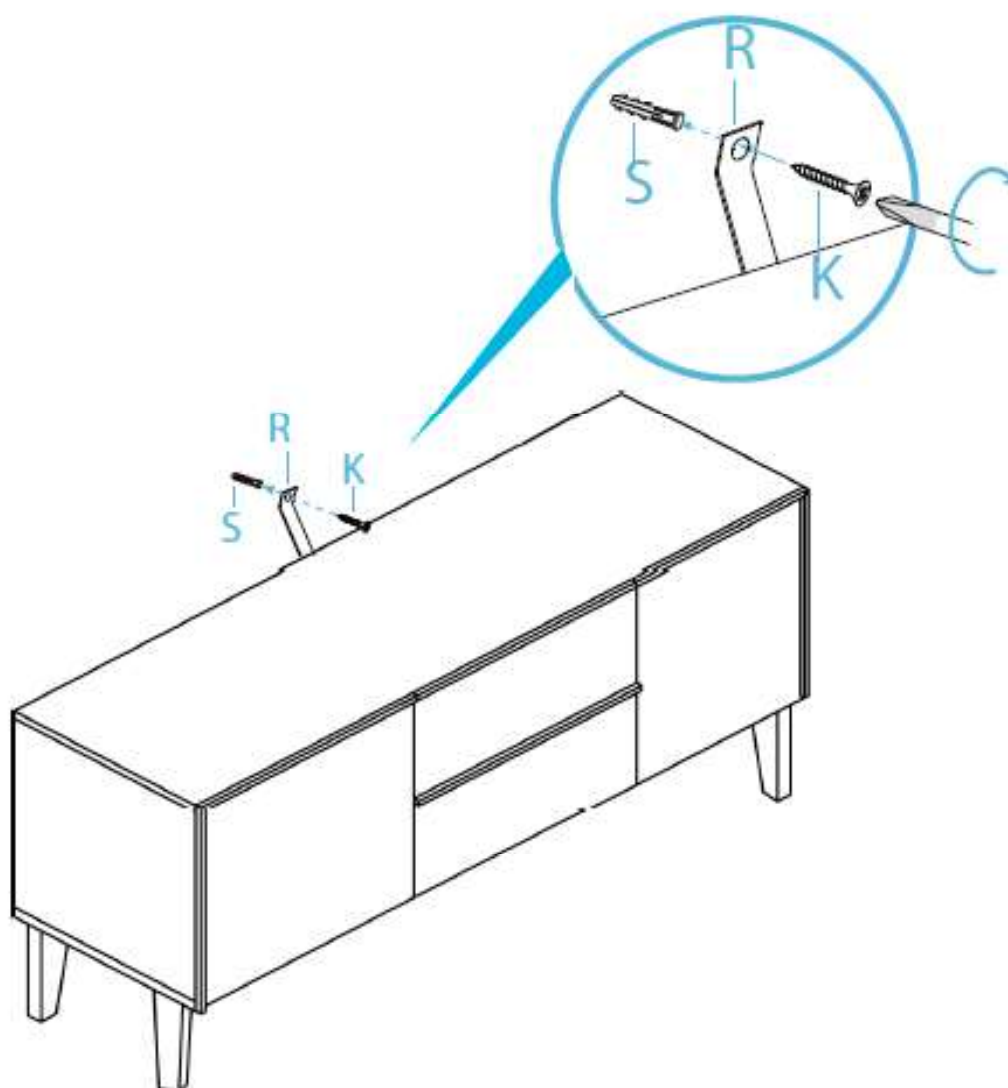


10





11

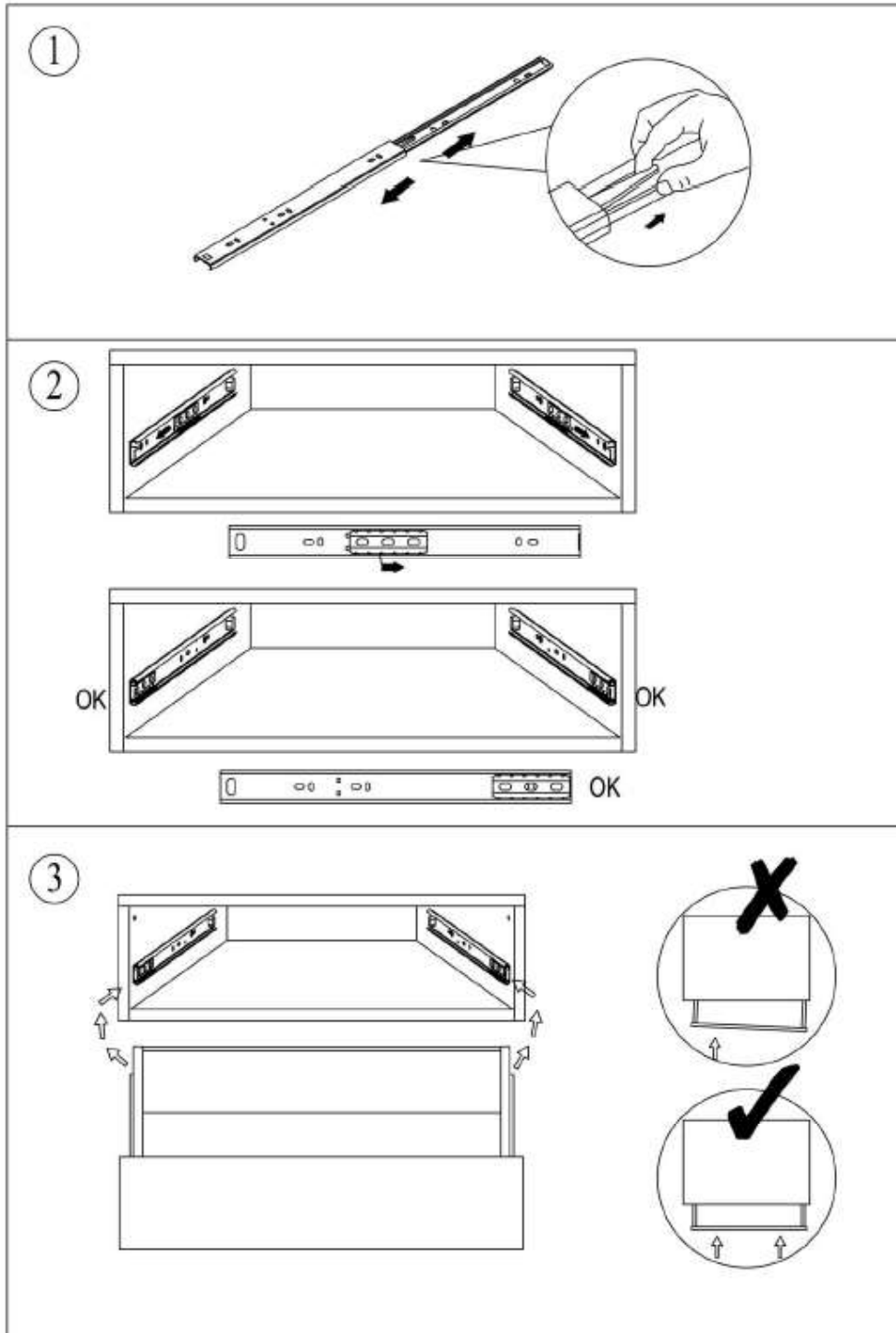




# Runners assembly instruction

## Instrucción para montaje de guías

## Instructions de montage des glissières







---

**THAT'S ALL FOLKS!**





**JULIÀ GRUP Furniture Solutions S.L.**

B-17616277

Pol. Ind. Bosc d'en Cuca

C / Tallers, 14

17410 Sils SPAIN

[contact@kavehome.com](mailto:contact@kavehome.com)